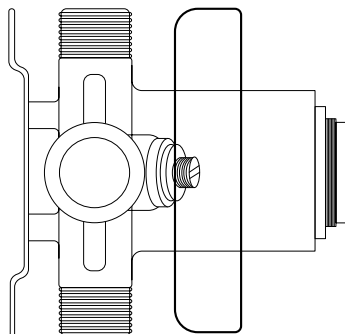
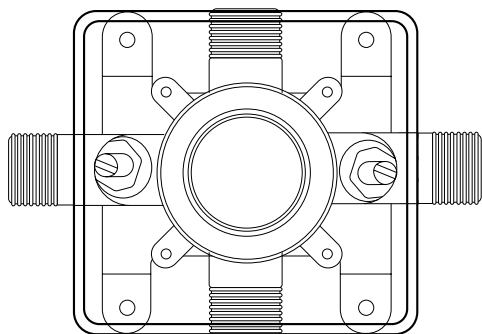


000.697.000
UNIVERSAL ROUGH VALVE BODY



INSTALLATION GUIDE

Thank you for choosing Valley Acrylic Products. This installation manual provides general information on the installation of our products.

BEFORE YOU BEGIN

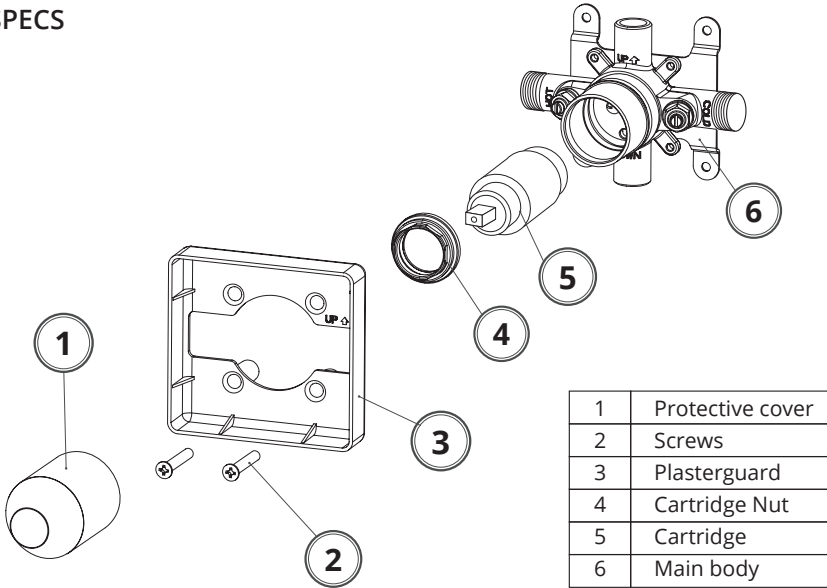
- Read all instructions before beginning installation.
- Consult local building codes to make sure the installation complies with standards.
- Remove the unit from its packaging. Before disposing of packaging , inspect the unit to make sure it is in good condition.
- Should inspection reveal any damage or defect in the finish, Contact Valley Acrylic Bath Ltd. at 1-877-398-8827 . The warranty does not cover damages or defects in the finish once the unit has been installed. The manufacturers responsibility for shipping damages ceases upon delivery of the product in good order to the carrier. All complaints regarding damage due to transport must be made directly to the carrier.

CAUTION

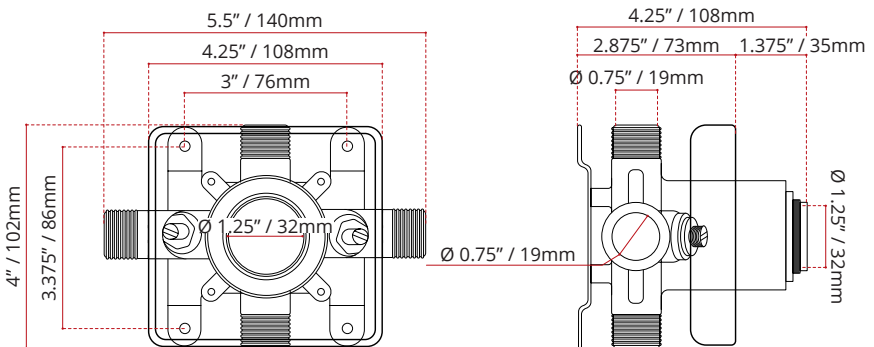
RISK OF PERSONAL INJURY OR PRODUCT DAMAGE. HANDLE WITH CARE. PRODUCT CAN BREAK, CHIP OR CAUSE INJURY IF HANDLED CARELESSLY.

WE RECOMMEND THE INSTALLATION OF THIS PRODUCT BE DONE BY A LICENSED PROFESSIONAL PLUMBER.

SPECS



1	Protective cover
2	Screws
3	Plasterguard
4	Cartridge Nut
5	Cartridge
6	Main body





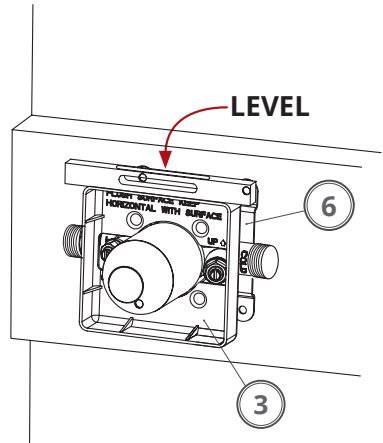
Before assembly, flush the water supply pipes thoroughly to drain debris inside (allow the water to run with the main stopcock open for 3min), otherwise dirty particles might affect the function of the faucet.

01

SHUT OFF WATER SUPPLIES.

Ensure the water supply is turned off before starting.

- Determine the valve location in the wall.
- Place the main body (6) so the front of the plasterguard (3) is flush with the finished wall.
- Use a level on top of the plasterguard (3) to align it horizontally.
- Mark 4 drilling points on the wall after adjusting the position.



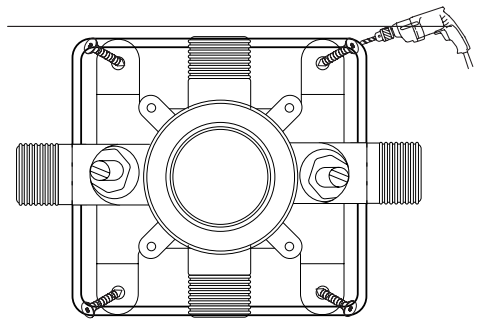
02

FIX THE VALVE

Fix the valve into the backing with screws (not included).



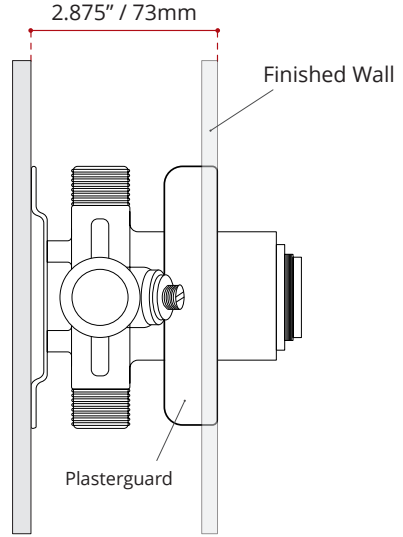
IMPORTANT: ENSURE THE VALVE IS LEVEL BEFORE SECURING.



03

ENSURE PROPER VALVE DEPTH

The distance from the back of the main body to the front of the plasterguard should be **2.875"** (this distance is to the finished wall).



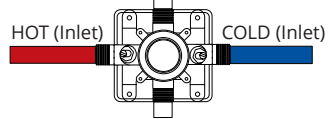
04

CONNECT WATER INLETS

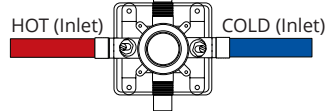
- Connect the hot and cold water inlets using the appropriate fittings (copper tubing, iron pipe, or PEX).
- **For PEX:** Ensure correct fittings and tools for crimping or cold expansion.
- If either outlet port is unused, seal it with a pipe plug.
- **Important:** Connect the hot water inlet to the left side of the valve and the cold water inlet to the right.

Make sure all pipes are free of debris to avoid blockages. Check for leaks after making connections.

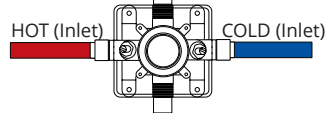
Cooper Tubing



Iron Pipe



Pex

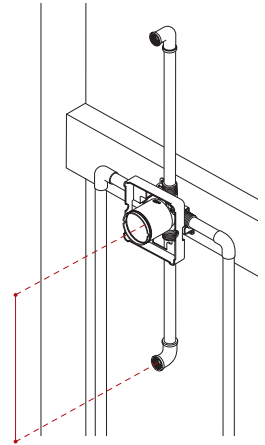


05

CONNECT SHOWER AND TUB PIPES

- **Shower:** Connect the top outlet to the shower pipe with appropriate fittings.
 - **Tub Spout:** Connect the bottom outlet to the tub spout pipe.
 - Use a minimum of 0.5" (13mm) copper or iron pipe in a straight drop of 8"-18" (203mm-457mm) with one 90° elbow.
- ⚠ • **Do not use PEX** for the tub spout drop.

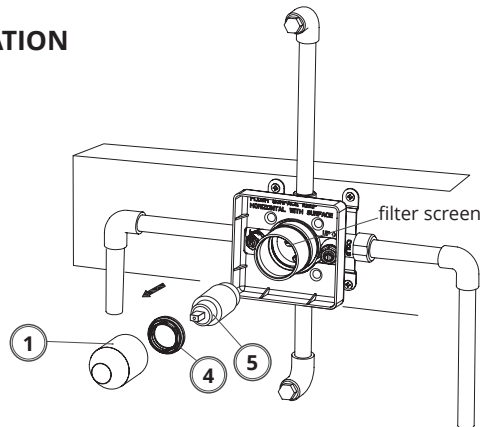
8" / 203mm
18" / 457mm
8po - 18po



06

TESTING AND FINAL INSTALLATION

- Before testing, remove the protective cover (1), cartridge (5), and cartridge nut (4).
- Reinstall the cartridge and cartridge nut, tightening securely.
- Plug both outlets and check for leaks.
- After testing, remove the plugs and flush the system. Reinstall the cartridge nut and tighten securely for the final installation.

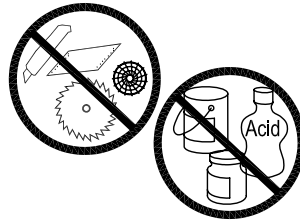




SHUT OFF WATER SUPPLIES.

- Ensure all joints are sealed and leak-free.
- Operating conditions:
 - Working pressure: 0.05-1.0 MPa (for both hot and cold water).
 - Water temperature: 4°C to 90°C.

Important: *Standing in front of the valve, connect the hot water pipe to the left and the cold water pipe to the right.*



CLEANING AND MAINTENANCE

- Flush with clean water and dry with a soft cloth.
- Avoid using polishing powders, cleaning powders, or harsh detergents to maintain the finish.

