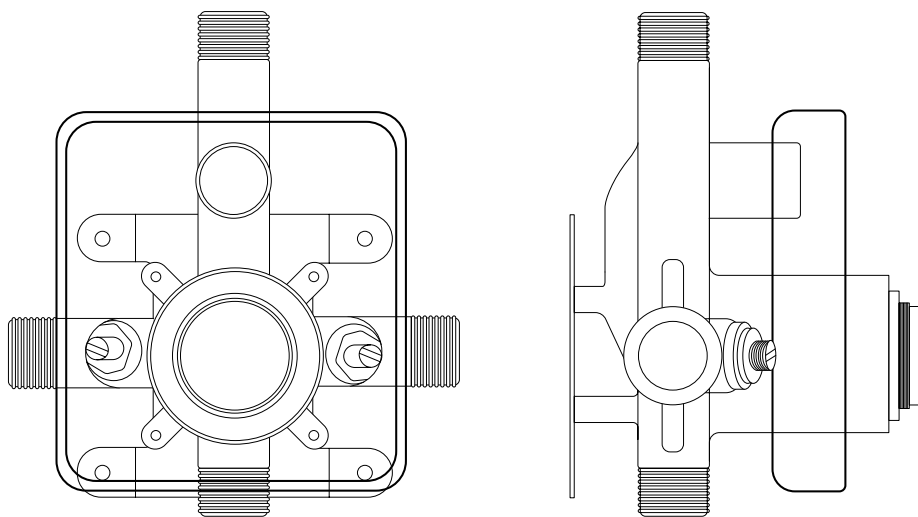


000.797.000

UNIVERSAL ROUGH VALVE BODY WITH DIVERTER



INSTALLATION GUIDE

Thank you for choosing Valley Acrylic Products. This installation manual provides general information on the installation of our products.

BEFORE YOU BEGIN

- Read all instructions before beginning installation.
- Consult local building codes to make sure the installation complies with standards.
- Remove the unit from its packaging. Before disposing of packaging, inspect the unit to make sure it is in good condition.
- Should inspection reveal any damage or defect in the finish, Contact Valley Acrylic Bath Ltd. at 1-877-398-8827. The warranty does not cover damages or defects in the finish once the unit has been installed. The manufacturer's responsibility for shipping damages ceases upon delivery of the product in good order to the carrier. All complaints regarding damage due to transport must be made directly to the carrier.

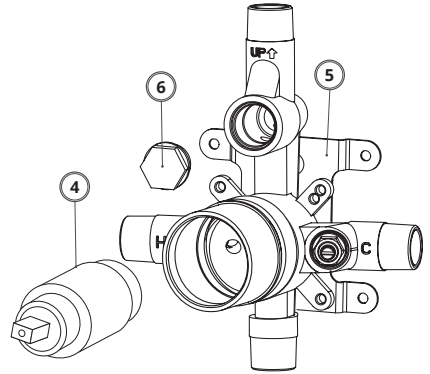
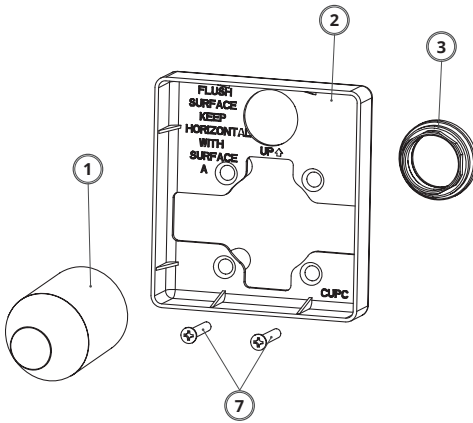


CAUTION

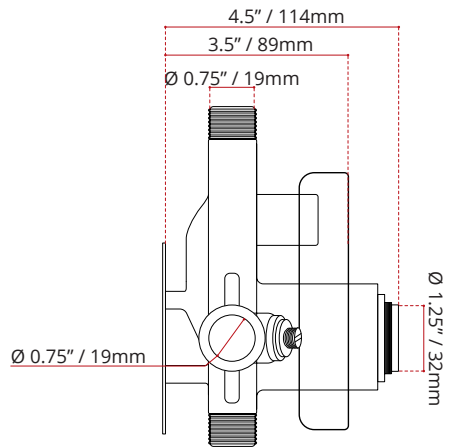
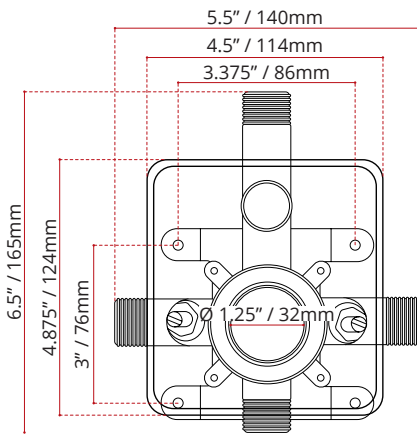
RISK OF PERSONAL INJURY OR PRODUCT DAMAGE. HANDLE WITH CARE. PRODUCT CAN BREAK, CHIP OR CAUSE INJURY IF HANDLED CARELESSLY.

WE RECOMMEND THE INSTALLATION OF THIS PRODUCT BE DONE BY A LICENSED PROFESSIONAL PLUMBER.

SPECS



1	Protective cover
2	Plasterguard
3	Cartridge Nut
4	Cartridge
5	Main body
6	Hexagonal cap
7	Screws





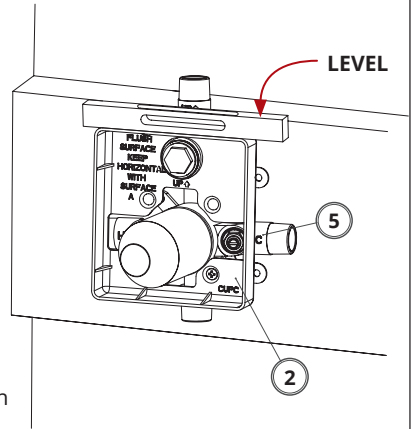
Before assembly, flush the water supply pipes thoroughly to drain debris inside (allow the water to run with the main stopcock open for 3min), otherwise dirty particles might affect the function of the faucet.

01

SHUT OFF WATER SUPPLIES.

Ensure the water supply is turned off before starting.

- Consider the type and thickness of your finished wall when positioning the main body plate.
- Install the Main Body (5) so that the front of the Plasterguard (2) is flush with the finished wall.
- Determine the valve's location on the wall, place a level on top of the Plasterguard (2) to ensure it's horizontal.
- Mark the drilling spots by making 4 marks on the wall after confirming the position.



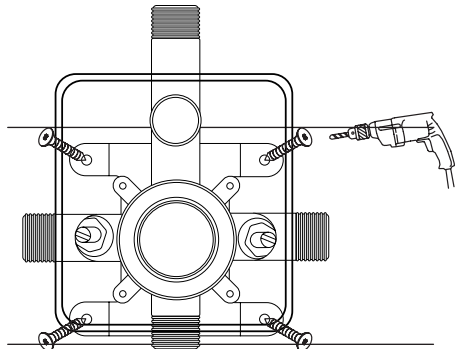
02

SECURE THE VALVE

Attach the valve to the wall backing using screws (screws are not included).



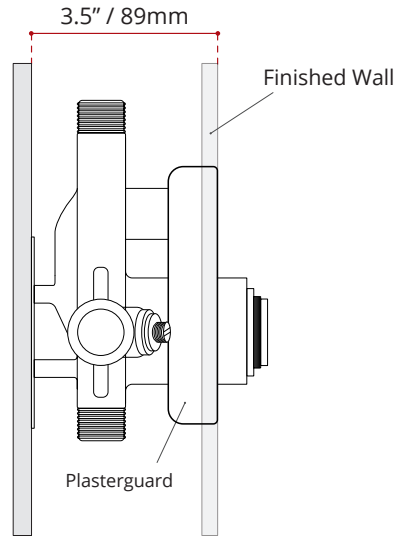
IMPORTANT: BEFORE SECURING THE VALVE, MAKE SURE IT IS LEVEL.



03

SET THE VALVE DEPTH

- The distance from the back of the main body to the front of the Plasterguard must be **3.5"**.
- **Note:** This distance should match the thickness of the finished wall.



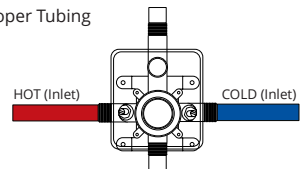
04

CONNECT WATER INLETS

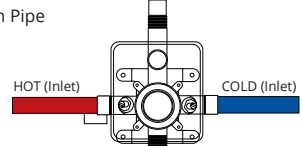
- Connect the hot and cold water inlets using the appropriate fittings (copper tubing, iron pipe, or PEX).
- **For PEX:** Ensure correct fittings and tools for crimping or cold expansion.
- If either outlet port is unused, seal it with a pipe plug.
- **Important:** Connect the hot water inlet to the left side of the valve and the cold water inlet to the right.

Make sure all pipes are free of debris to avoid blockages. Check for leaks after making connections.

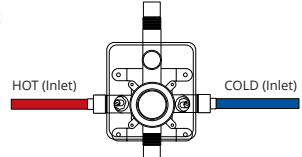
Cooper Tubing



Iron Pipe



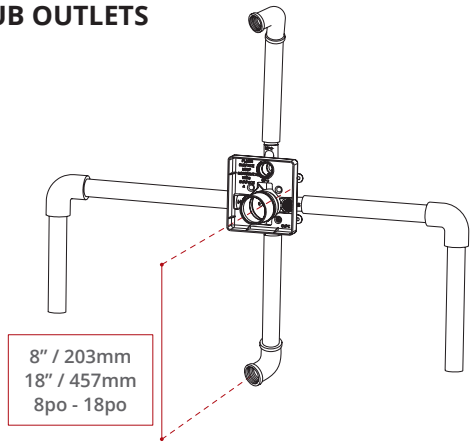
Pex



05

CONNECT THE SHOWER AND TUB OUTLETS

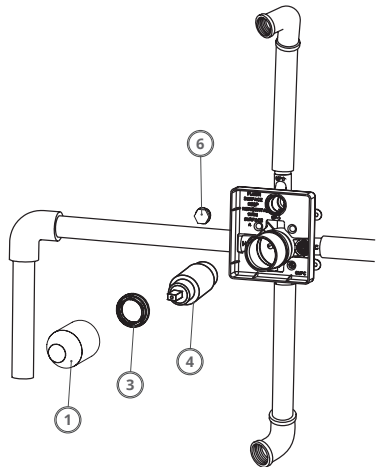
- Connect the top outlet to the shower pipe using proper fittings.
- Connect the bottom outlet to the tub spout pipe.
- **Important:** The pipe between the valve body and tub spout must be:
 - A minimum of 0.5" (13mm) in diameter.
 - Either copper or iron pipe.
 - A straight drop between 8" (203mm) and 18" (457mm) with only one 90-degree elbow to the tub spout nipple.



06

TESTING & FLUSHING THE SYSTEM

- Before testing, remove the protective cover (1), cartridge (4) & (6), and the cartridge nut (3).
- Reinstall the cartridge and cartridge nut, and tighten them securely.
- Plug both the shower and tub outlets using proper fittings.
- Check for leaks.
- After testing, remove the plugs from the shower and/or tub spout and flush the system thoroughly.
- After flushing, reinstall the cartridge and cartridge nut, and tighten them securely until final installation.

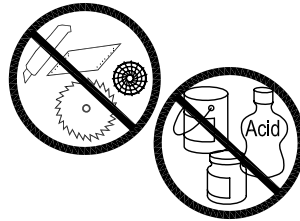




SHUT OFF WATER SUPPLIES.

- Ensure all joints are sealed and leak-free.
- Operating conditions:
 - Working pressure: 0.05-1.0 MPa (for both hot and cold water).
 - Water temperature: 4°C to 90°C.

Important: *Standing in front of the valve, connect the hot water pipe to the left and the cold water pipe to the right.*



CLEANING AND MAINTENANCE

- Flush with clean water and dry with a soft cloth.
- Avoid using polishing powders, cleaning powders, or harsh detergents to maintain the finish.

VALLEY⁺
BATH & KITCHEN

000.797.000
UNIVERSAL ROUGH VALVE BODY WITH DIVERTER

VALLEY⁺
BATH & KITCHEN

Congratulations! You are now a part of the Valley Bath & Kitchen family!