



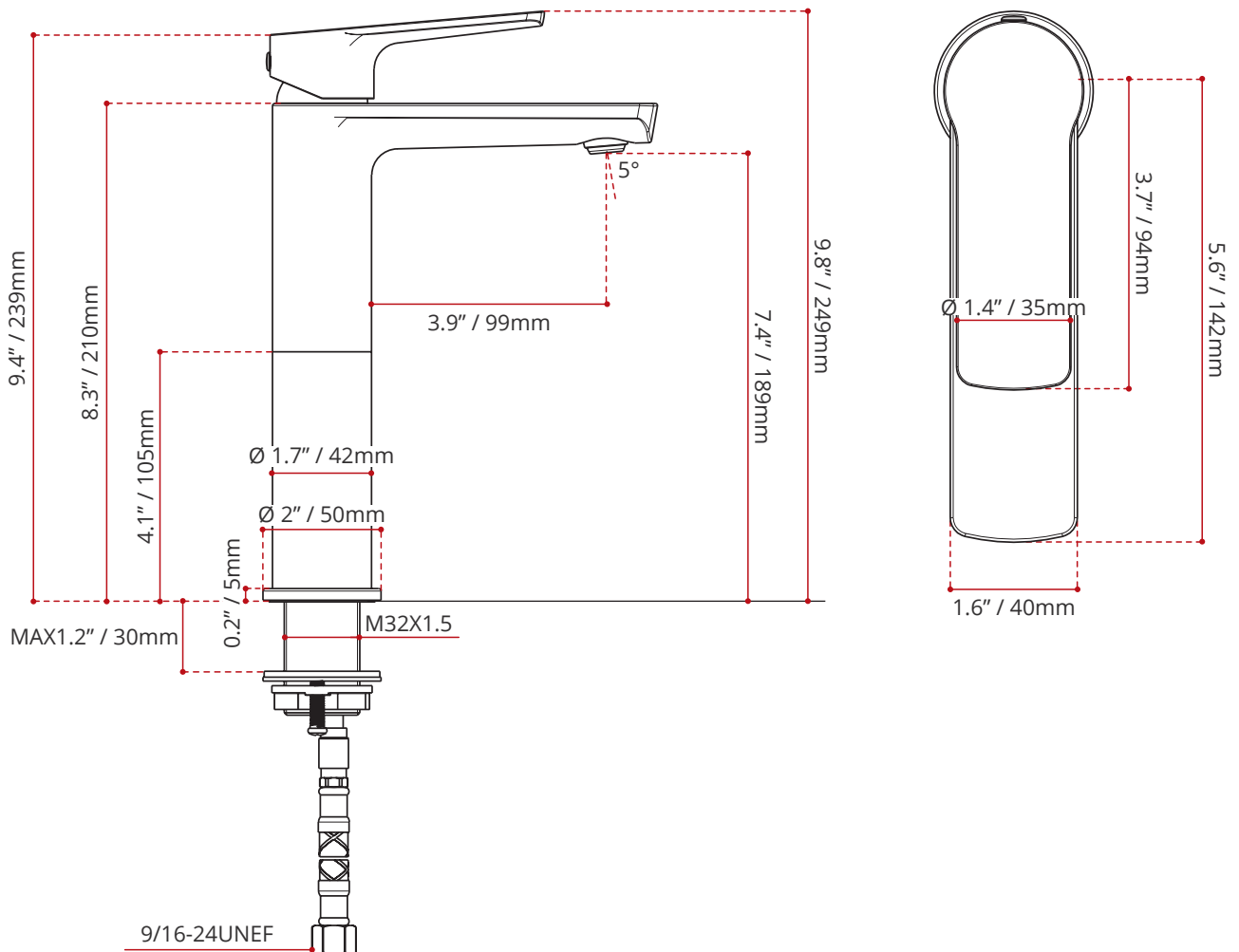
Product images are for illustration purposes only. Actual product(s) may vary.

DESCRIPTION:

- Brass body
- Matte Black finish
- Easy to clean and maintain
- High quality drip-free ceramic cartridge
- Single lever, water & temperature control
- Resist discoloration and corrosion
- Complies with CSA & IAPMO standards

SHIPPING INFORMATION:

- Length: 12.2" / 310mm
- Width: 7" / 180mm
- Height: 3" / 75mm
- Net Weight: 2.2 kg / 4.9 lbs
- Gross Weight: 2.8 kg / 6.2 lbs



DISCLAIMER: Measurements may vary ± 1/4" (Diagram Not to scale)