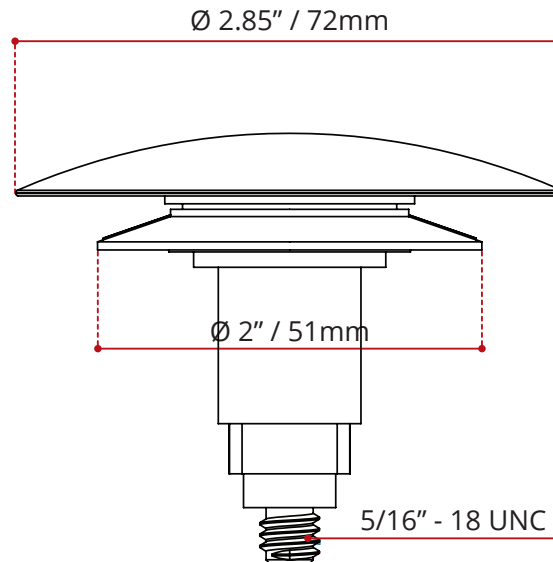




DESCRIPTION
<ul style="list-style-type: none"> • Chrome Finish • Easy to remove for cleaning of the Drain • Simple operation: Press to open, press to close • Complies with CSA & IAPMO standards

SHIPPING DIMENSIONS
<ul style="list-style-type: none"> • Length: 3.75" / 95mm • Net Weight: 0.5kg / 1.1lbs. • Width: 3.5" / 89mm • Gross Weight: 0.75kg / 1.6lbs. • Height: 2.25" / 57mm



DISCLAIMER: Measurements may vary $\pm \frac{1}{4}"$ (Diagram Not to scale)