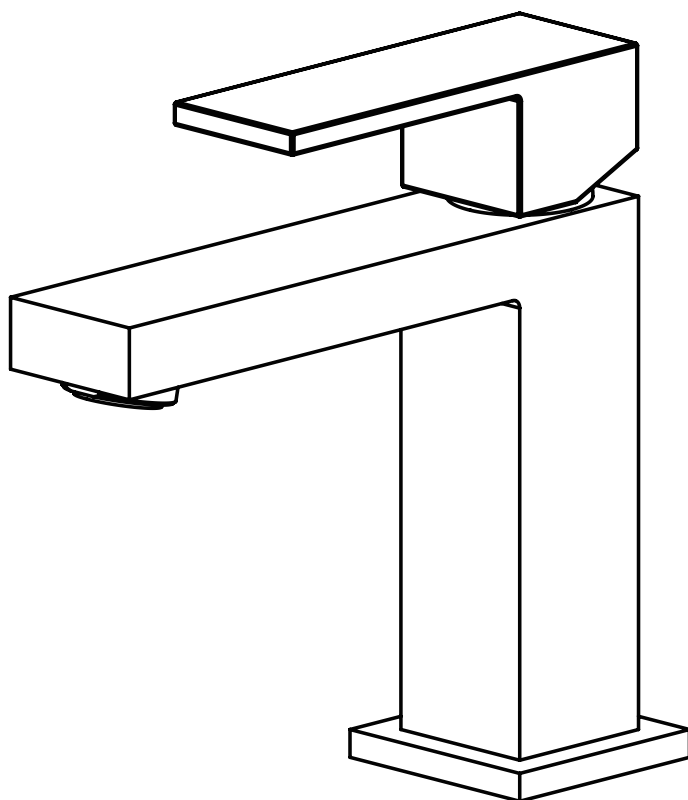
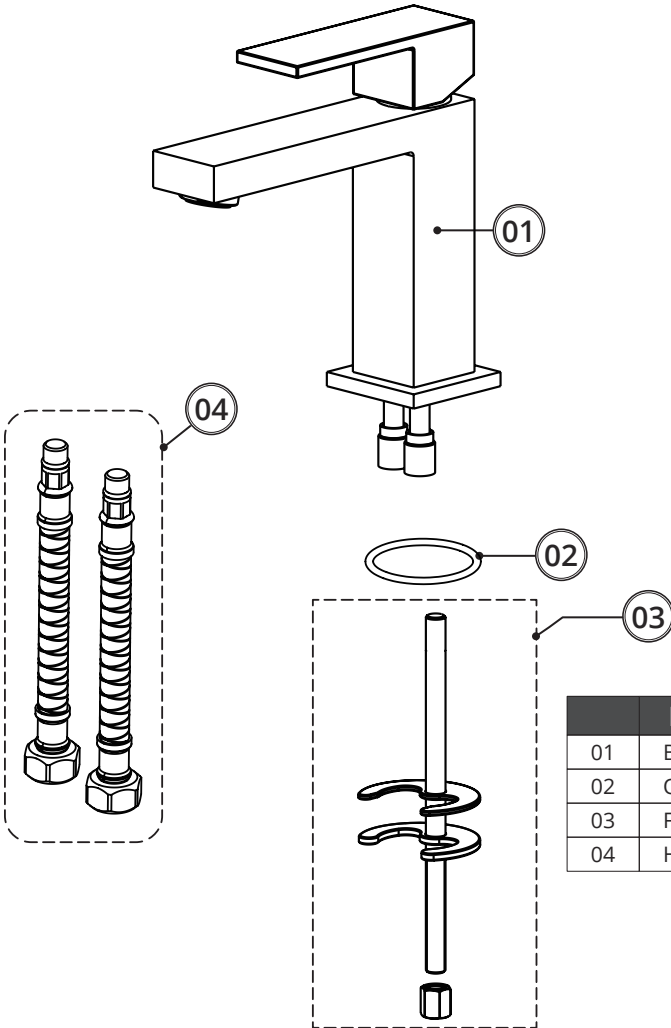


INSTALLATION MANUAL

for 451.211.100 - 451.211.500



PART LIST



	PART NAME
01	Body Assembly
02	O-Ring
03	Fitting Assembly
04	Hoses

Thank you for choosing Valley Acrylic Products. This installation manual provides general information on the installation of our products.

BEFORE YOU BEGIN

Read all instructions before beginning installation.

- Consult local building codes to make sure the installation complies with standards.
- Remove the unit from its packaging. Before disposing of packaging, inspect the unit to make sure it is in good condition.
- Should inspection reveal any damage or defect in the finish, Contact Valley Acrylic Bath Ltd. at 1-877-398-8827. The warranty does not cover damages or defects in the finish once the unit has been installed. The manufacturers responsibility for shipping damages ceases upon delivery of the product in good order to the carrier. All complaints regarding damage due to transport must be made directly to the carrier.



CAUTION

RISK OF PERSONAL INJURY OR PRODUCT DAMAGE. HANDLE WITH CARE. PRODUCT CAN BREAK, CHIP OR CAUSE INJURY IF HANDLED CARELESSLY.

WE RECOMMEND THE INSTALLATION OF THIS PRODUCT BE DONE BY A LICENSED PROFESSIONAL PLUMBER.

REQUIRED TOOLS



Teflon Tape



Silicone Gun



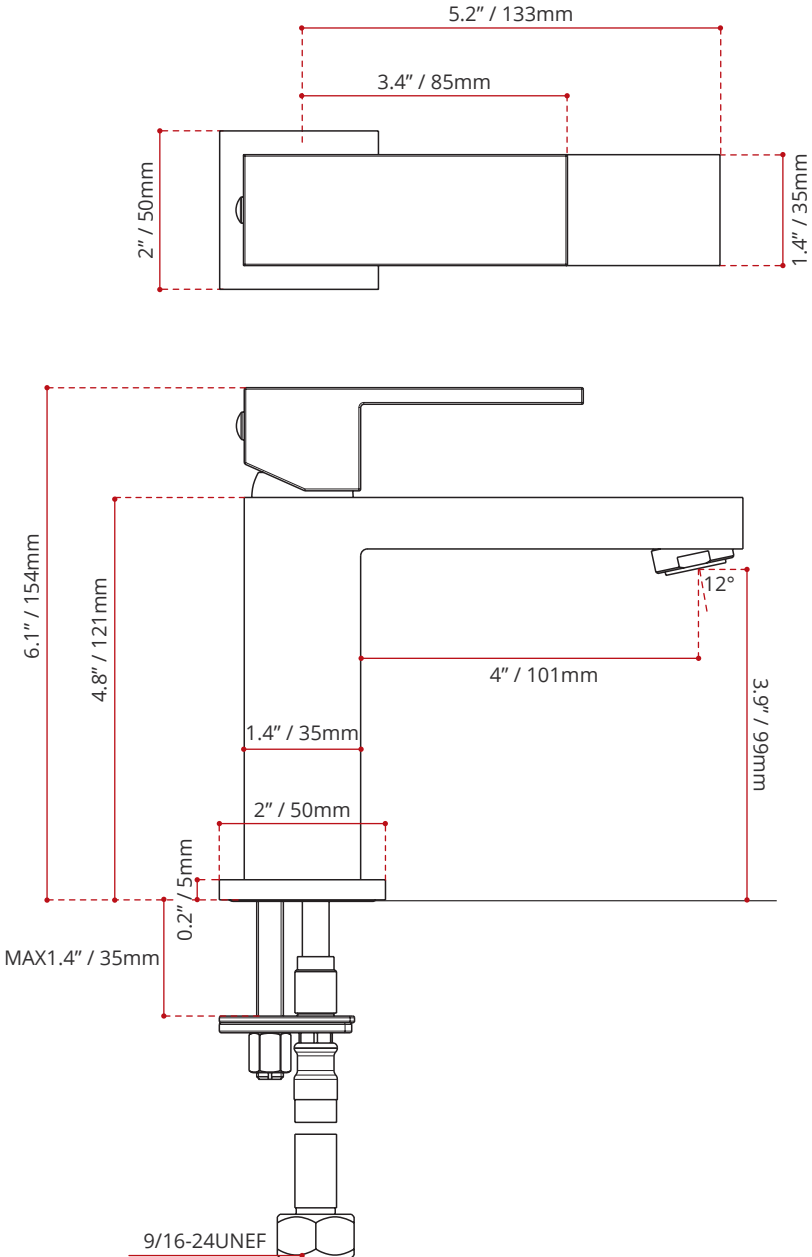
Philips screwdriver



Pliers



Adjustable wrench

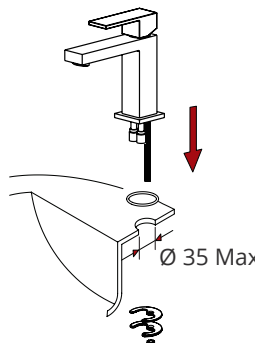


DISCLAIMER: Measurements may vary ± 1/8" (Diagram Not to scale)

! BEFORE ASSEMBLY, FLUSH THE WATER SUPPLY PIPES THOROUGHLY TO DRAIN DEBRIS INSIDE (ALLOW THE WATER TO RUN WITH THE MAIN STOPCOCK OPEN FOR 3MIN), OTHERWISE DIRTY PARTICLES MIGHT AFFECT THE FUNCTION OF THE FAUCET.

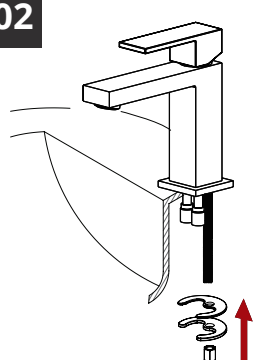
! SHUT OFF WATER SUPPLIES !

01



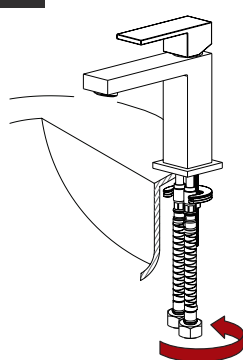
Before installing the faucet, make sure there is a 35mm hole in the basin or countertop. Insert the faucet body through the hole, ensuring the O-ring is securely placed between the bottom of the faucet body and the basin.

02



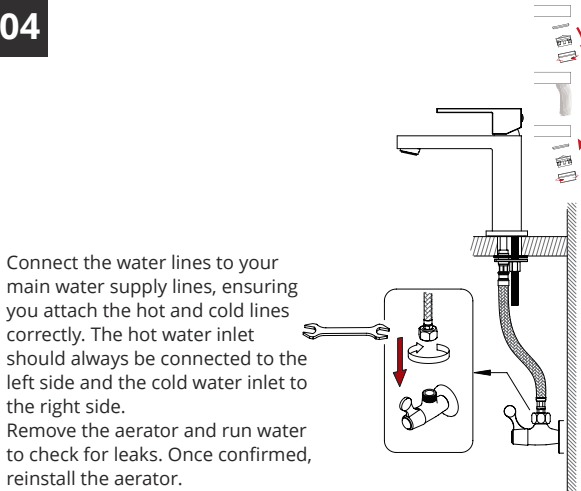
Install the gasket and the bracket. Secure the faucet with the provided nut.

03



Hand-tighten the nut, then use the installation tool to secure it tightly.

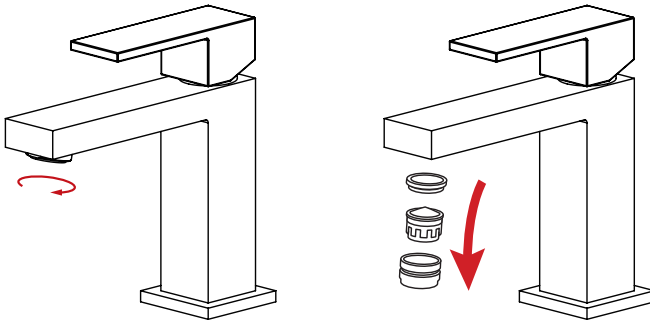
04



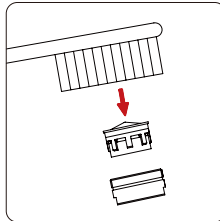
Connect the water lines to your main water supply lines, ensuring you attach the hot and cold lines correctly. The hot water inlet should always be connected to the left side and the cold water inlet to the right side. Remove the aerator and run water to check for leaks. Once confirmed, reinstall the aerator.

AERATOR MAINTENANCE

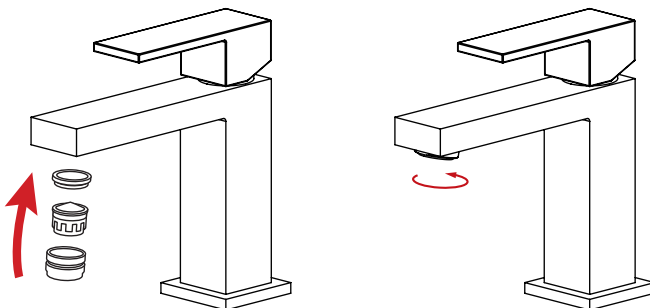
1. Remove the Aerator: Untighten and remove the aerator as shown in the diagram.



2. Clean the Aerator: Using a toothbrush, gently brush away any dirt or debris from the aerator.



3. Reinstall the Aerator: Place the cleaned aerator back into its position and securely tighten.

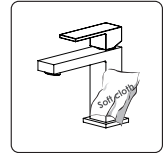


CARE AND MAINTENANCE

To maintain the bright and clean appearance of your faucet, please follow these care and maintenance guidelines:

1. Regular Cleaning:

- Clean the faucet regularly to keep it looking bright.
- Wash the faucet with clean, soapy water, then dry it with a soft cloth.



2. Avoid Abrasive Cleaners:

- Do not use polishing powder or cleaning powders that contain coarse particles, as these can wear out the surface.
- Avoid using acidic detergents, as they can cause corrosion.



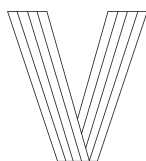
3. Cleaning Procedure:

- Use clear, clean water and a soft cloth to wipe away dirt.
- For tougher dirt, use one of the following gentle cleansers:
 - Gentle liquid detergent
 - Colorless glass cleaner

4. Final Rinse and Dry:

- After cleaning, thoroughly rinse off all the cleanser with clean water.
- Dry the faucet with a soft cloth to prevent water spots and streaks.

By following these steps, you can ensure your faucet remains in excellent condition for years to come.



VALLEY⁺
BATH & KITCHEN
...you dream it, we create it



1(877) 398-8827 (TUBS)
www.valleybathandkitchen.com

Congratulations! You are now a part of the Valley Bath & Kitchen family, and an owner of a great product!