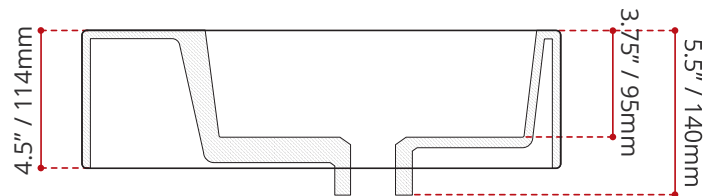
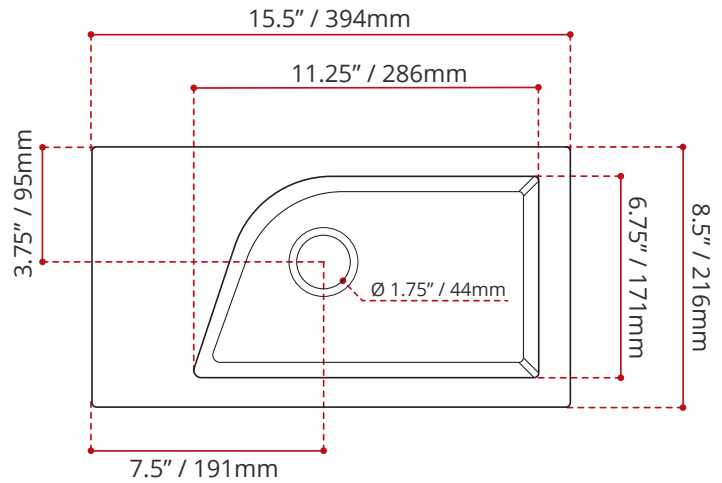


Product images are for illustration purposes only. Actual product(s) may vary.

DESCRIPTION:

- Above counter Shila Stone basin
- Default finish Gloss white
- Drain assembly sold separately
- Wall-mount option available
- Stain, scratch and crack resistance
- Designed in Canada
- Complies with CSA & IAPMO standards



DISCLAIMER: Measurements may vary ± ¼" (Diagram Not to scale)

DEFAULT FINISHES

GW
 GLOSS WHITE
 (A-400GW)

UPCHARGES

WM
 WALL MOUNT

SHIPPING INFORMATION:

- Length: 19" / 483mm
- Net Weight: 7.1 kg / 15.65 lbs.
- Width: 11" / 279mm
- Gross Weight: 7.7 kg / 17 lbs.
- Height: 7.5" / 191mm

BASIN VARIATIONS

ALL UPCHARGE OPTIONS ARE MADE TO ORDER - NO REFUND - NO RETURN -

		LIP SIZE OPTIONS		WALL MOUNT
		2.5" LIP Drop-In Cutting Required	4.5" LIP Drop-In Cutting Required	WM
A-400W 		<p>2.5" / 64mm</p>	<p>4.5" / 114mm</p>	<p>1 1/4" / 32mm 4" / 102mm 1 5/8" / 41mm Ø 3/8" / 10mm</p>
FAUCET HOLE DRILLING OPTIONS	NH NO HOLE 	A400GW25-NH (GLOSS WHITE FINISH)	A400GW45-NH	A400GW45WM-NH
	1H 1 HOLE 	A400GW25-1H (GLOSS WHITE FINISH)	A400GW45-1H	A400GW45WM-1H