

BRUSHED STAINLESS STEEL (VSS-DCB) DRAIN COVER INCLUDED



Product images are for illustration purposes only. Actual product(s) may vary.

MATTE BLACK FINISH	GLOSS BLACK FINISH
JDZTCD4836MB	JDZTCD4836GB

DESCRIPTION:

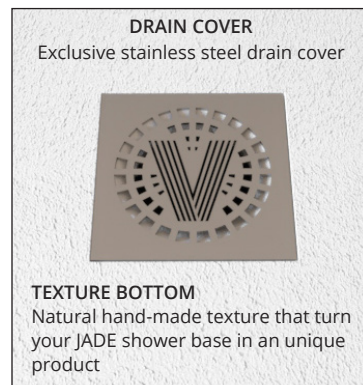
- Zero threshold shower base (No tiling flange)
- Made from Shila Stone cast resin
- Stain, scratch and crack resistance
- Hygienic material
- Textured bottom for anti-slip purposes
- Center drain location
- 12ft. tiling flange included (it can be installed as a single, double, triple and zero threshold base)
- Brushed Stainless Steel (VSS-DCB) drain cover included
- Made in Canada
- Complies with CSA & IAPMO standards



FLUSH INSTALLATION



TOPMOUNT INSTALLATION



DRAIN COVER
Exclusive stainless steel drain cover

TEXTURE BOTTOM
Natural hand-made texture that turn your JADE shower base in a unique product



SITE SIZEABLE
Cut/resize your JADE shower base to specific size

ADA COMPLIANT

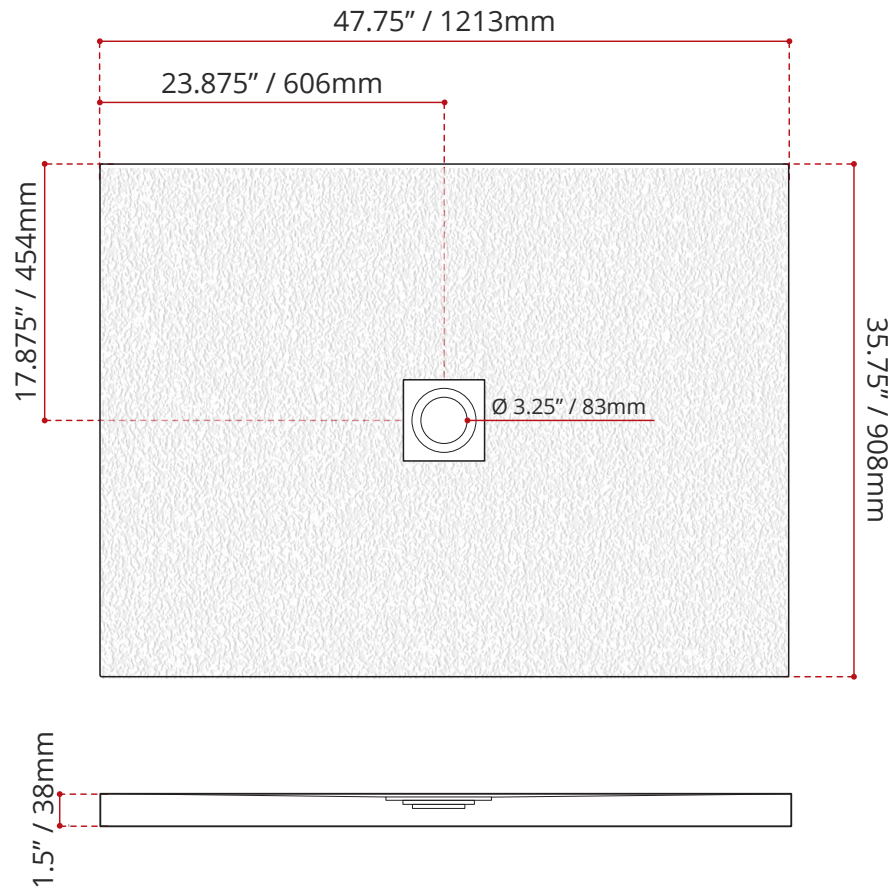


ADA compliant when product is installed flush to the floor for easy roll-in access for wheelchair.

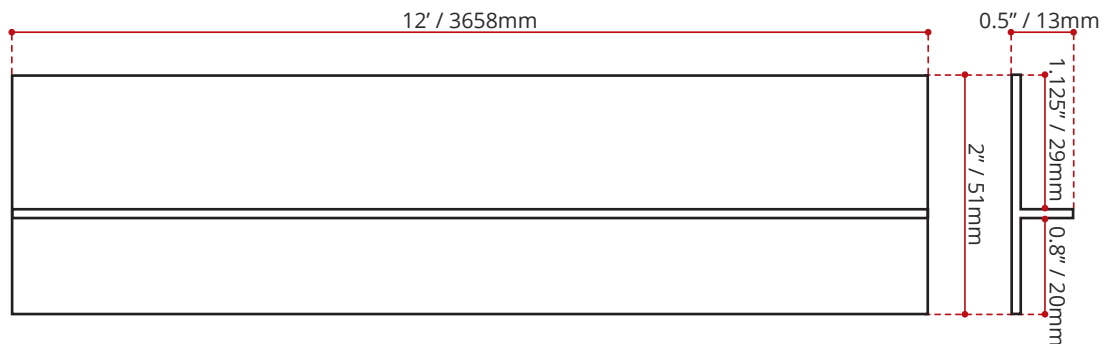
SHIPPING INFORMATION:

- Length: 50" / 1270mm
- Width: 38" / 965mm
- Height: 5" / 127mm
- Net Weight: 66 kg / 145 lbs
- Gross Weight: 71 kg / 157 lbs





TILING FLANGE SPEC



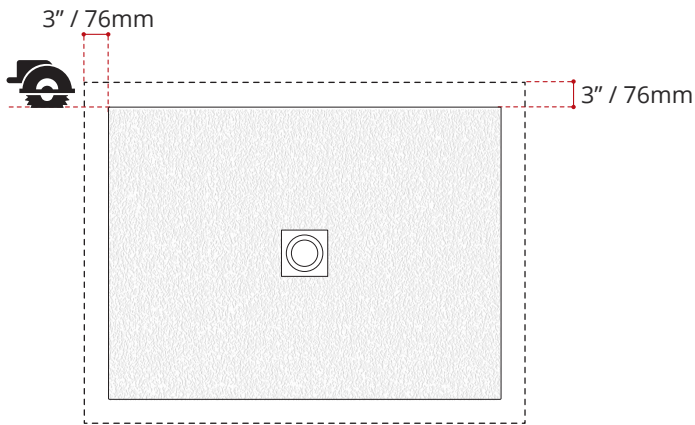
DISCLAIMER:

Measurements may vary \pm 1/4"
(Diagram Not to scale)

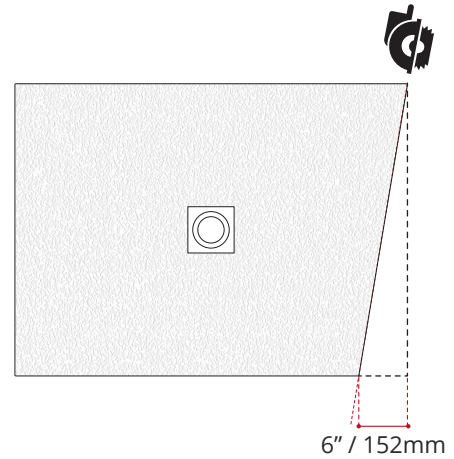
JADE SHOWER BASE CUTTING OPTIONS

If exposed edges of the shower (those that are not sitting up against a wall) are being cut, please note that the edge will not be finished. The customer can purchase a touch-up kit to finish on site, or Valley can factory-finish at an additional cost. (Please speak to a Valley representative for further information.)

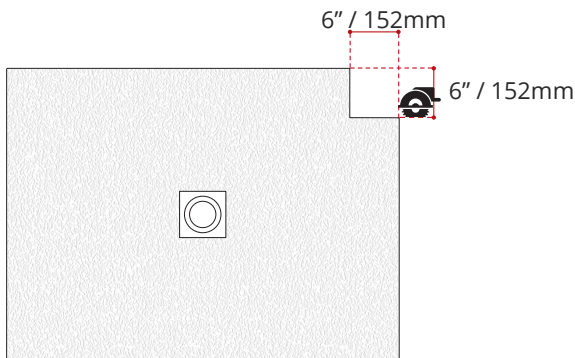
Cut up to 3" max. from each side of the base



Cut up to 6" max.



Cut up to 6" max. from each corner of the base



Cut up to 6" max. from each corner of the base

