



Product images are for illustration purposes only. Actual product(s) may vary.

WHITE FINISH	
MODEL No.	
<b>1611</b>	
LEFT HAND DRAIN LOCATION	
<b>1621</b>	
RIGHT HAND DRAIN LOCATION	

BLACK FINISH	BISCUIT FINISH
MODEL No.	MODEL No.
<b>1612</b> LEFT HAND DRAIN LOCATION	<b>1613</b> LEFT HAND DRAIN LOCATION
<b>1622</b> RIGHT HAND DRAIN LOCATION	<b>1623</b> RIGHT HAND DRAIN LOCATION
<i>COLOUR OPTIONS ARE MADE TO ORDER - NO REFUND - NO RETURN -</i>	

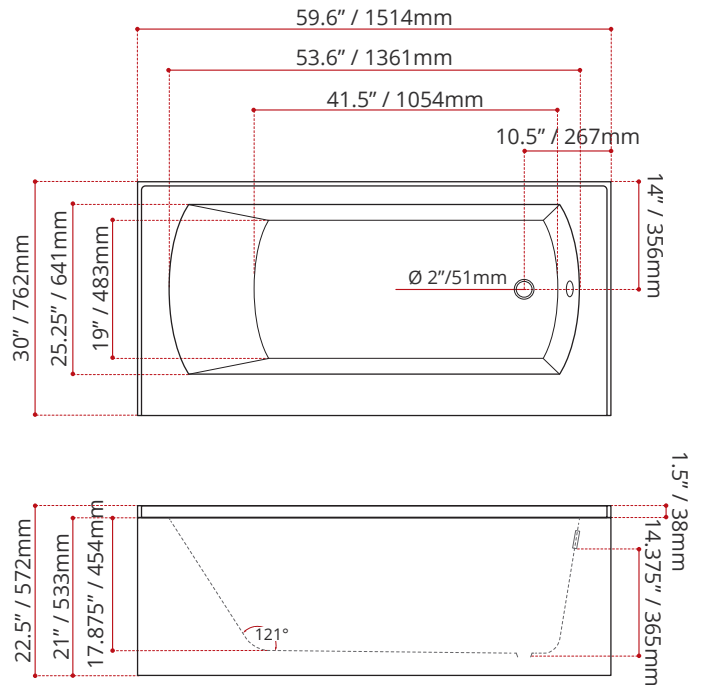
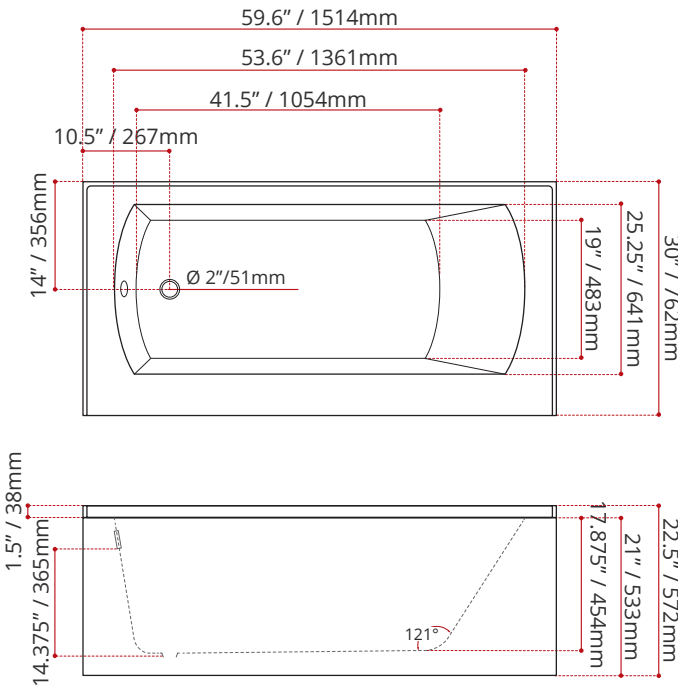
DIMENSIONS	WATER DEPTH	CAPACITY
<ul style="list-style-type: none"> <li>Length: 59.6" / 1514mm</li> <li>Width: 30" / 762mm</li> <li>Skirt Height: 21" / 533mm</li> </ul>	14.375" / 365mm Drain to overflow	49 gal. 185 litres of water

PRODUCT INFORMATION:	
<ul style="list-style-type: none"> <li>Modern style</li> <li>Plain skirt</li> <li>End drain</li> </ul>	<ul style="list-style-type: none"> <li>High gloss / Crack-resistant acrylic</li> <li>Made in Canada</li> <li>Complies with CSA &amp; IAPMO standards</li> </ul>

SHIPPING INFORMATION:	
<ul style="list-style-type: none"> <li>Length: 62" / 1575mm</li> <li>Width: 34" / 864mm</li> <li>Height: 26" / 660mm</li> </ul>	<ul style="list-style-type: none"> <li>Net Weight: 30 kg / 66 lbs</li> <li>Gross Weight: 35.8 kg / 79 lbs</li> </ul>

MODEL NUMBER : **1611**  
(LEFT HAND DRAIN LOCATION)

MODEL NUMBER : **1621**  
(RIGHT HAND DRAIN LOCATION)



DISCLAIMER: Measurements may vary ± 1/4" (Diagram Not to scale)

