

PLAIN OVO SKIRTED SHILA STONE BATHTUB



Product images are for illustration purposes only. Actual product(s) may vary.

MODEL No.	FINISH	 ENVIRO SEAL
3285 LEFT HAND DRAIN LOCATION	 MATTE BLACK	
3295 RIGHT HAND DRAIN LOCATION		

DIMENSIONS	WATER DEPTH	CAPACITY
<ul style="list-style-type: none"> Length: 60" / 1524mm Width: 30" / 762mm Skirt Height: 20" / 508mm 	13.5" / 343mm Drain to overflow	43 gal. 163 litres of water

PRODUCT INFORMATION:

Shila Stone is highly resistant to staining and chemical cleaners. Moreover, its non-porous, bacteriostatic surface limits the growth of microorganisms, making it a perfectly hygienic material.

- Modern style
- Plain skirt
- End drain
- Made in Canada
- Hygienic material
- Made from Shila Stone cast resin**
- Stain, scratch and crack resistance
- Complies with CSA & IAPMO standards

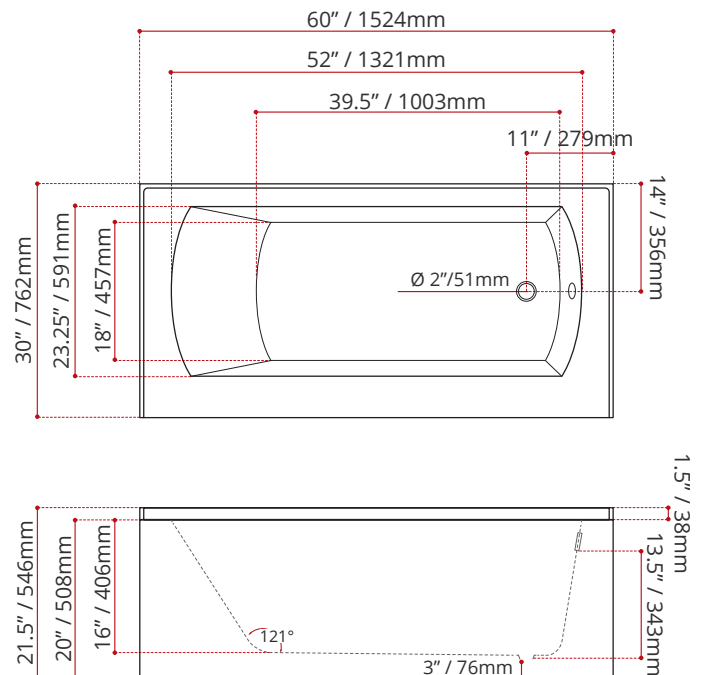
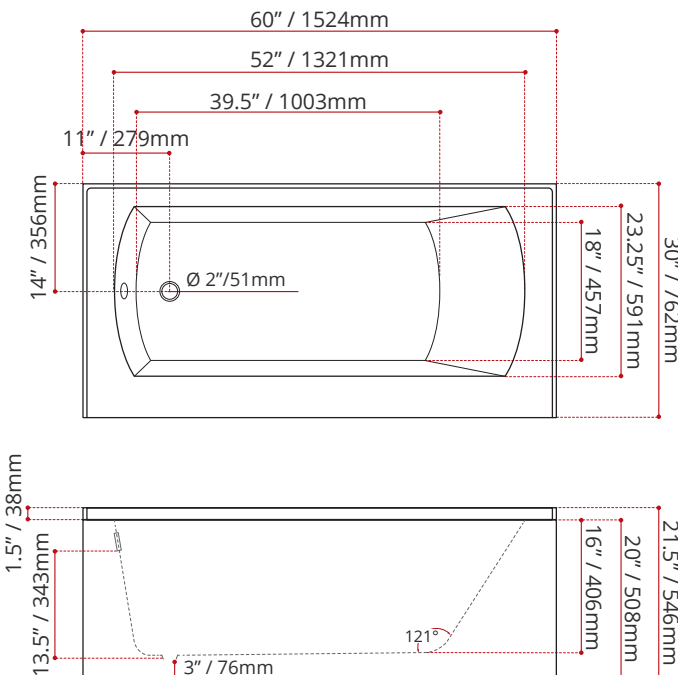
SHIPPING INFORMATION:

KG/LBS

- Length: 62" / 1575mm
- Width: 34" / 864mm
- Height: 26" / 660mm
- Net Weight: 30 kg / 66 lbs
- Gross Weight: 35.8 kg / 79 lbs

MODEL NUMBER : **3285**
(LEFT HAND DRAIN LOCATION)

MODEL NUMBER : **3295**
(RIGHT HAND DRAIN LOCATION)



DISCLAIMER: Measurements may vary ± 1/8" (Diagram Not to scale)

