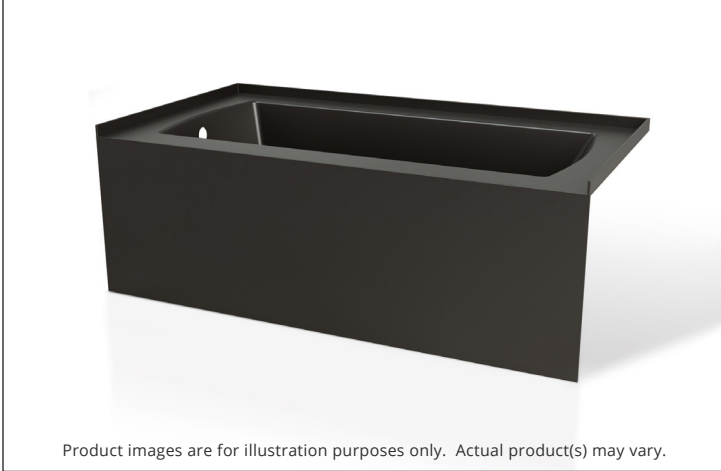

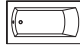

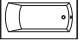


PLAIN OVO SKIRTED SHILA STONE BATHTUB



MODEL No.	FINISH	 ENVIRO SEAL
3315  LEFT HAND DRAIN LOCATION	 MATTE BLACK	
3325  RIGHT HAND DRAIN LOCATION		


DIMENSIONS	WATER DEPTH	CAPACITY
<ul style="list-style-type: none"> Length: 60" / 1524mm Width: 32" / 813mm Skirt Height: 21" / 533mm 	13.5" / 343mm Drain to overflow	43 gal. 163 litres of water

PRODUCT INFORMATION:

Shila Stone is highly resistant to staining and chemical cleaners. Moreover, its non-porous, bacteriostatic surface limits the growth of microorganisms, making it a perfectly hygienic material.

- Modern style
- Plain skirt
- End drain
- Made in Canada
- Hygienic material
- Made from Shila Stone cast resin**
- Stain, scratch and crack resistance
- Complies with CSA & IAPMO standards

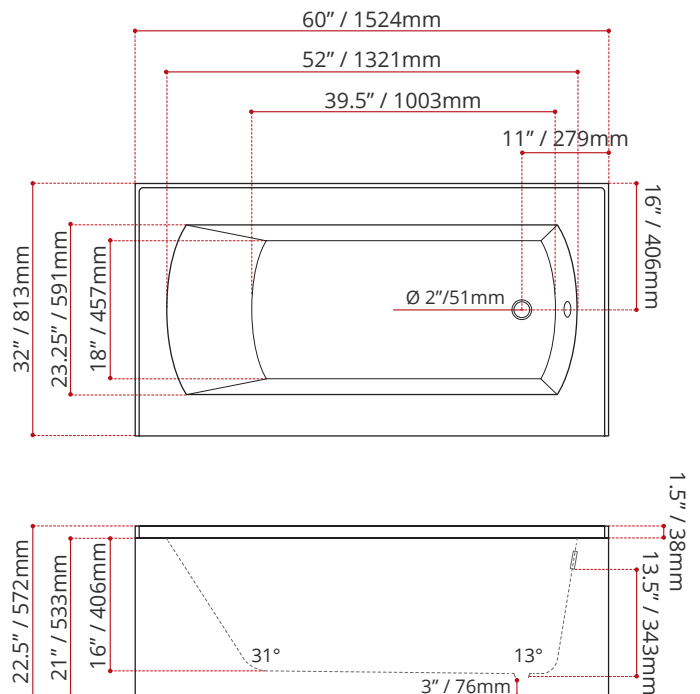
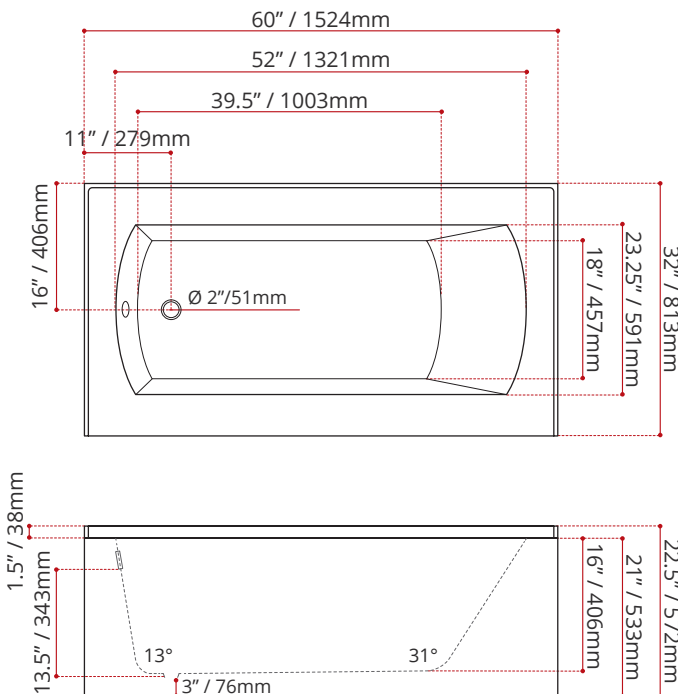
SHIPPING INFORMATION:


 KG/LBS

- Length: 62" / 1575mm
- Width: 34" / 864mm
- Height: 26" / 660mm
- Net Weight: 30 kg / 66 lbs
- Gross Weight: 35.8 kg / 79 lbs

MODEL NUMBER : **3315**
(LEFT HAND DRAIN LOCATION)

MODEL NUMBER : **3325**
(RIGHT HAND DRAIN LOCATION)



DISCLAIMER: Measurements may vary ± ¼" (Diagram Not to scale)

