



VALLEY
PRESTIGE COLLECTION

POVO6032SK

PLAIN OVO SKIRTED SHILA STONE BATHTUB



Product images are for illustration purposes only. Actual product(s) may vary.

MATTE WHITE FINISH		
MODEL No.		
3314		
LEFT HAND DRAIN LOCATION		ENVIRO SEAL
3324		
RIGHT HAND DRAIN LOCATION		

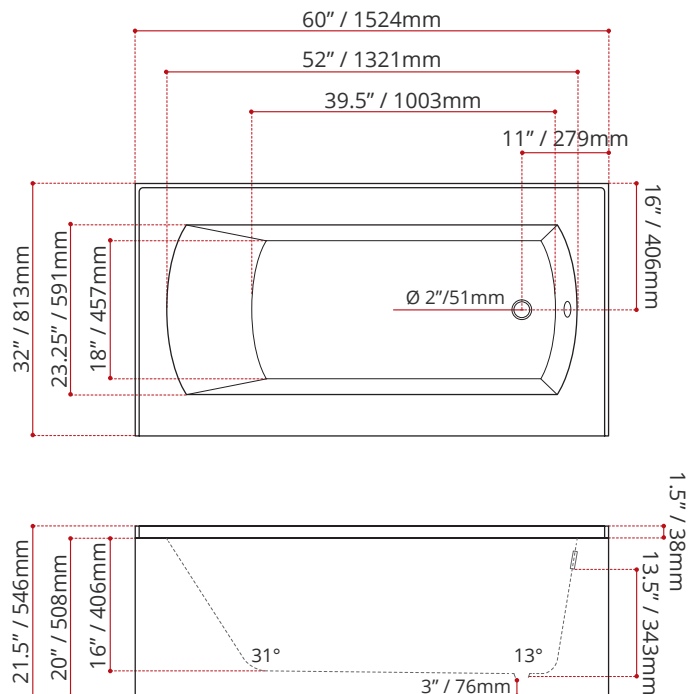
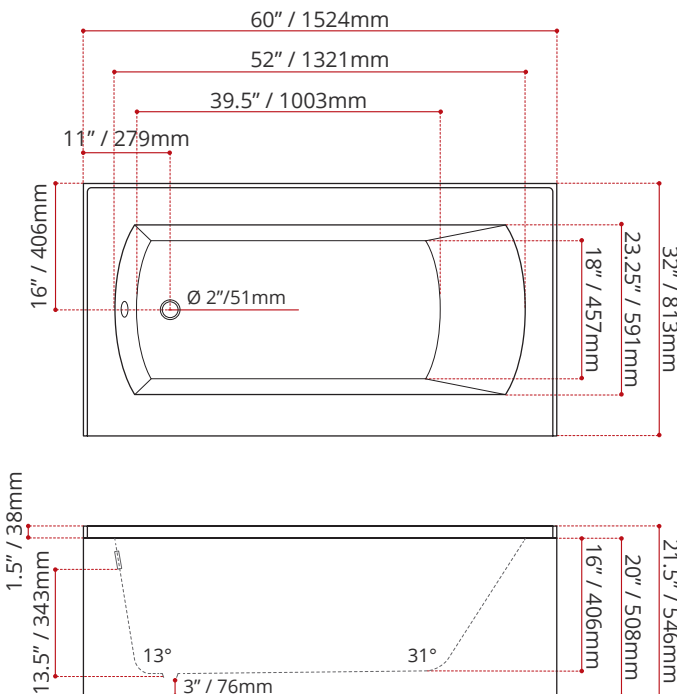
DIMENSIONS	WATER DEPTH	CAPACITY
<ul style="list-style-type: none"> • Length: 60" / 1524mm • Width: 32" / 813mm • Skirt Height: 20" / 508mm 	13.5" / 343mm Drain to overflow	43 gal. 163 litres of water

PRODUCT INFORMATION:	
<p>Shila Stone is highly resistant to staining and chemical cleaners. Moreover, its non-porous, bacteriostatic surface limits the growth of microorganisms, making it a perfectly hygienic material.</p>	
<ul style="list-style-type: none"> • Modern style • Plain skirt • End drain • Made in Canada 	<ul style="list-style-type: none"> • Hygienic material • Made from Shila Stone cast resin • Stain, scratch and crack resistance • Complies with CSA & IAPMO standards

SHIPPING INFORMATION:	
<ul style="list-style-type: none"> • Length: 62" / 1575mm • Width: 34" / 864mm • Height: 26" / 660mm 	<ul style="list-style-type: none"> • Net Weight: 30 kg / 66 lbs • Gross Weight: 35.8 kg / 79 lbs

MODEL NUMBER : 3314
(LEFT HAND DRAIN LOCATION)

MODEL NUMBER : 3324
(RIGHT HAND DRAIN LOCATION)



DISCLAIMER: Measurements may vary ± 1/4" (Diagram Not to scale)



COMPLIES WITH:
CSA B45.1 (2004)
CSA B45.3 (2002)
ANSI Z124.1.2 (2005)



CUSTOMIZE YOUR TUB

ALL UPCHARGE OPTIONS ARE MADE TO ORDER - NO REFUND - NO RETURN -

AVAILABLE CUSTOMIZATION OPTIONS	MODEL No.
3/4" SET BACK WOOD APRON	C1
WOOD APRON REMOVABLE ACCESS PANEL	C2
SKIRT CUT-OFF	C3
TEXTURED BOTTOM	C4
DOUBLE TILING FLANGE	C5
¾" SET BACK WOOD APRON + TEXTURED BOTTOM	C14
¾" SET BACK WOOD APRON + DOUBLE TILING FLANGE	C15
REMOVABLE ACCESS PANEL + TEXTURED BOTTOM	C24
REMOVABLE ACCESS PANEL + DOUBLE TILING FLANGE	C25
SKIRT CUT-OFF + TEXTURED BOTTOM	C34
SKIRT CUT-OFF + DOUBLE TILING FLANGE	C35
TEXTURED BOTTOM + DOUBLE TILING FLANGE	C45
¾" SET BACK WOOD APRON + TXRED BTM + DBL TILING FLANGE	C145
REMOVABLE ACCESS PANEL + TXRED BTM + DBL TILING FLANGE	C245
SKIRT CUT-OFF + TEXTURED BOTTOM + DBL TILING FLANGE	C345

JETTING OPTIONS

ALL EXPERIENCES ARE MADE TO ORDER - NO REFUND - NO RETURN -

MODEL No.	DESCRIPTION
E15	16 LATERAL AIR JETS (CHROME) + 1 ROUND LIGHT (WHITE) + 6 THIN LINE TURBO JETS (CHROME)
E33	16 AIR ILLUSION JETS + 2 ROUND LIGHTS (WHITE) + 6 STANDARD THIN LINE JETS (WHITE)
E56	16 SANTE AIR JETS (WHITE) + 1 ROUND LIGHT (WHITE) + 6 STANDARD THIN LINE JETS (WHITE)
E75	16 ZEN AIR JETS (CHROME) + 2 ROUND LIGHTS (WHITE) + 6 SQUARE STANDARD JETS (CHROME)
M16	4 V-MASSEUSE + 16 AIR ILLUSION JETS + 2 ROUND LIGHTS (WHITE)
M33	4 WHIRLPOOL V-MASSEUSE + 16 LATERAL AIR JETS (CHROME) + 1 ROUND LIGHT (WHITE)
062	6 REGULAR WHIRLPOOL WATER JETS - BRUSHED NICKEL
032	16 SANTE AIR JETS (WHITE FINISH) + 1 ROUND LIGHT (WHITE FINISH)

FOR MORE EXPERIENCES, JETTING OPTIONS & ACCESSORIES
PLEASE REFER TO THE JETTING GUIDE

HOW TO CREATE THE MODEL NUMBER

When configuring a bathtub please follow the correct order of the configuration options.

COLOUR OPTION + CUSTOMIZATIONS + JETTING OPTIONS

Let's break down an example — Here is Model No.

3324C45E56

3324C45E56 (POVO6032 RIGHT HAND DRAIN WHITE FINISH)

3324**C45**E56 (TEXTURED BOTTOM + DOUBLE TILING FLANGE)

3324C45**E56** (JETTING OPTION)

POVO6032SK RIGHT HAND DRAIN WHITE FINISH + TEXTURED BOTTOM + DOUBLE TILING FLANGE + 16 SANTE AIR JETS (WHITE) +
1 ROUND LIGHT (WHITE) + 6 STANDARD THIN LINE JETS (WHITE)