

PLAIN OVO SKIRTED SHILA STONE BATHTUB



MODEL No.	FINISH	 ENVIRO SEAL
<b>3335</b> LEFT HAND DRAIN LOCATION 	 <b>MATTE BLACK</b>	
<b>3345</b> RIGHT HAND DRAIN LOCATION 		

DIMENSIONS	WATER DEPTH	CAPACITY
<ul style="list-style-type: none"> <li>• Length: 60" / 1524mm</li> <li>• Width: 34" / 864mm</li> <li>• Skirt Height: 20" / 508mm</li> </ul>	13.5" / 343mm Drain to overflow	56 gal. 212 litres of water

**PRODUCT INFORMATION:**

Shila Stone s highly resistant to staining and chemical cleaners. Moreover, its non-porous, bacteriostatic surface limits the growth of microorganisms, making it a perfectly hygienic material.

- Modern style
- Plain skirt
- End drain
- Made in Canada
- Hygienic material
- **Made from Shila Stone cast resin**
- Stain, scratch and crack resistance
- Complies with CSA & IAPMO standards

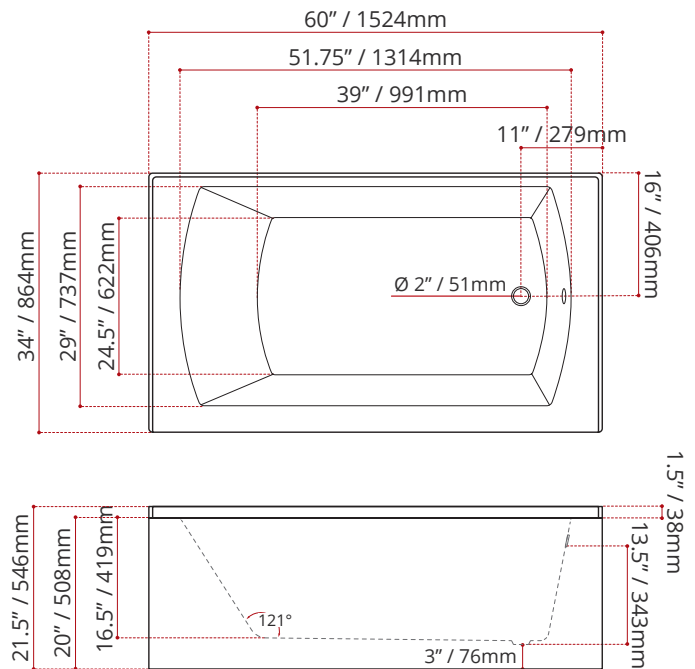
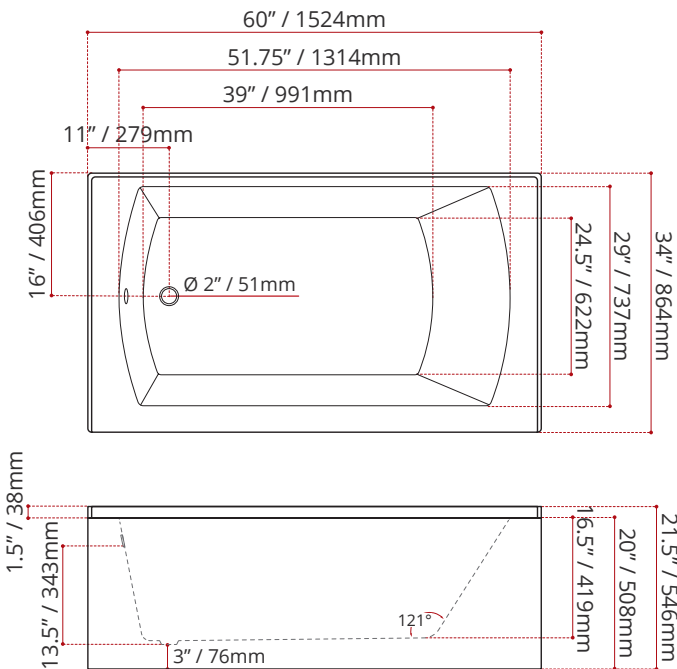
**SHIPPING INFORMATION:**

KG/LBS

- Length: 62" / 1575mm
- Width: 38" / 965mm
- Height: 26" / 660mm
- Net Weight: 35.8 kg / 79 lbs
- Gross Weight: 40 kg / 88 lbs

MODEL NUMBER : **3335**  
(LEFT HAND DRAIN LOCATION)

MODEL NUMBER : **3345**  
(RIGHT HAND DRAIN LOCATION)



DISCLAIMER: Measurements may vary ± 1/4" (Diagram Not to scale)

