
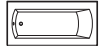

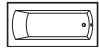


PLAIN OVO SKIRTED SHILA STONE BATHTUB



MODEL No.	FINISH	 ENVIRO SEAL
<b>3485</b> LEFT HAND DRAIN LOCATION 	 <b>MATTE BLACK</b>	
<b>3495</b> RIGHT HAND DRAIN LOCATION 		


DIMENSIONS	WATER DEPTH	CAPACITY
<ul style="list-style-type: none"> <li>Length: 71.75" / 1822mm</li> <li>Width: 36" / 914mm</li> <li>Skirt Height: 22" / 559mm</li> </ul>	17" / 432mm Drain to overflow	88 gal. 333 litres of water

**PRODUCT INFORMATION:**


Shila Stone is highly resistant to staining and chemical cleaners. Moreover, its non-porous, bacteriostatic surface limits the growth of microorganisms, making it a perfectly hygienic material.

- Modern style
- Plain skirt
- End drain
- Made in Canada
- Hygienic material
- Made from Shila Stone cast resin**
- Stain, scratch and crack resistance
- Complies with CSA & IAPMO standards

**SHIPPING INFORMATION:**



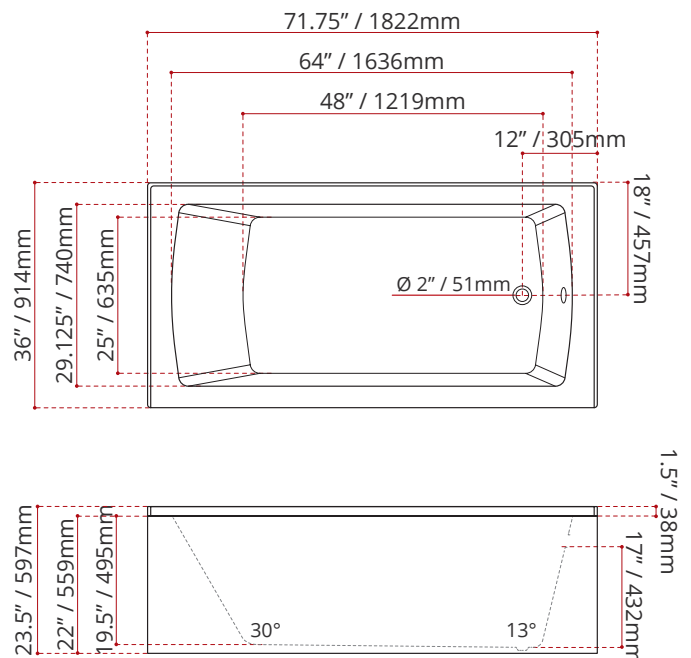
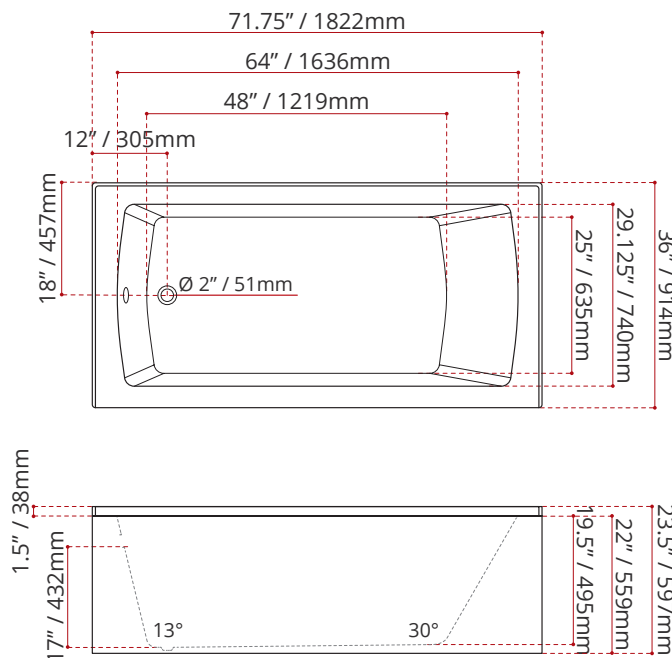
- Length: 74" / 1880mm
- Width: 38" / 965mm
- Height: 26" / 660mm



- Net Weight: 46 kg / 101 lbs
- Gross Weight: 50 kg / 110 lbs

MODEL NUMBER : 3485  
(LEFT HAND DRAIN LOCATION)

MODEL NUMBER : 3495  
(RIGHT HAND DRAIN LOCATION)



DISCLAIMER: Measurements may vary ± 1/4" (Diagram Not to scale)

