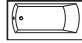
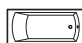




WHITE FINISH
MODEL No.
3681C1  LEFT HAND DRAIN LOCATION
3691C1  RIGHT HAND DRAIN LOCATION

BLACK FINISH	BISCUIT FINISH
MODEL No.	MODEL No.
3682C1 LEFT HAND DRAIN LOCATION	3683C1 LEFT HAND DRAIN LOCATION
3692C1 RIGHT HAND DRAIN LOCATION	3693C1 RIGHT HAND DRAIN LOCATION
<i>COLOUR OPTIONS ARE MADE TO ORDER - NO REFUND - NO RETURN -</i>	

PRODUCT INFORMATION:

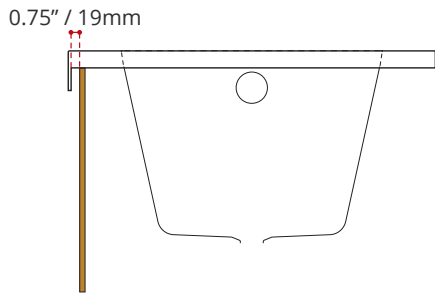
- Modern style
- High gloss / Crack-resistant acrylic
- Made in Canada
- **3/4" Set back wood apron**
- End drain
- Complies with CSA & IAPMO standards

DIMENSIONS	WATER DEPTH	CAPACITY
<ul style="list-style-type: none"> • Length: 60" / 1524mm • Width: 30" / 762mm • Skirt Height: 16" / 406mm 	11.25" / 286mm Drain to overflow	42 gal. 159 litres of water

SHIPPING INFORMATION:

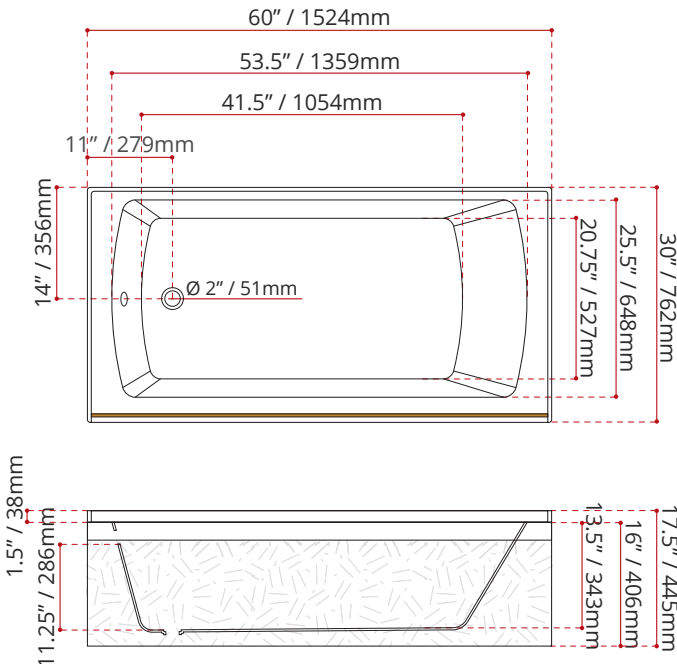
- Length: 62" / 1575mm
- Width: 34" / 864mm
- Height: 26" / 660mm
- Net Weight: 30 kg / 66 lbs
- Gross Weight: 35.8 kg / 79 lbs

3/4" SET BACK WOOD APRON



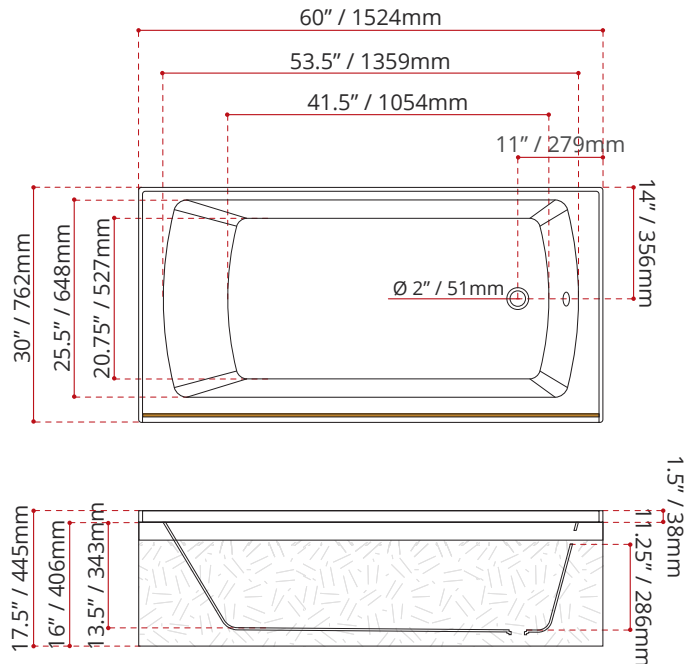
MODEL NUMBER : **3681C1**
(LEFT HAND DRAIN LOCATION)

MADE TO ORDER - NO REFUND - NO RETURN -



MODEL NUMBER : **3691C1**
(RIGHT HAND DRAIN LOCATION)

MADE TO ORDER - NO REFUND - NO RETURN -



DISCLAIMER: Measurements may vary ± 1/4" (Diagram Not to scale)

