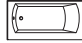
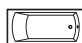


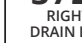
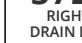




Product images are for illustration purposes only. Actual product(s) may vary.

WHITE FINISH
MODEL No.
3711C1 
LEFT HAND DRAIN LOCATION
3721C1 
RIGHT HAND DRAIN LOCATION

BLACK FINISH	BISCUIT FINISH
MODEL No.	MODEL No.
3712C1 	3713C1 
LEFT HAND DRAIN LOCATION	LEFT HAND DRAIN LOCATION
3722C1 	3723C1 
RIGHT HAND DRAIN LOCATION	RIGHT HAND DRAIN LOCATION
COLOUR OPTIONS ARE MADE TO ORDER - NO REFUND - NO RETURN -	

PRODUCT INFORMATION:

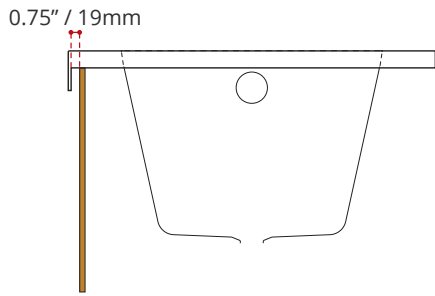
- Modern style
- High gloss / Crack-resistant acrylic
- Made in Canada
- **3/4" Set back wood apron**
- End drain
- Complies with CSA & IAPMO standards

DIMENSIONS	WATER DEPTH	CAPACITY
<ul style="list-style-type: none"> • Length: 60" / 1524mm • Width: 32" / 813mm • Skirt Height: 16" / 406mm 	11.25" / 286mm Drain to overflow	42 gal. 159 litres of water

SHIPPING INFORMATION:

- Length: 62" / 1575mm
- Width: 34" / 864mm
- Height: 26" / 660mm
- Net Weight: 30 kg / 66 lbs
- Gross Weight: 35.8 kg / 79 lbs

3/4" SET BACK WOOD APRON

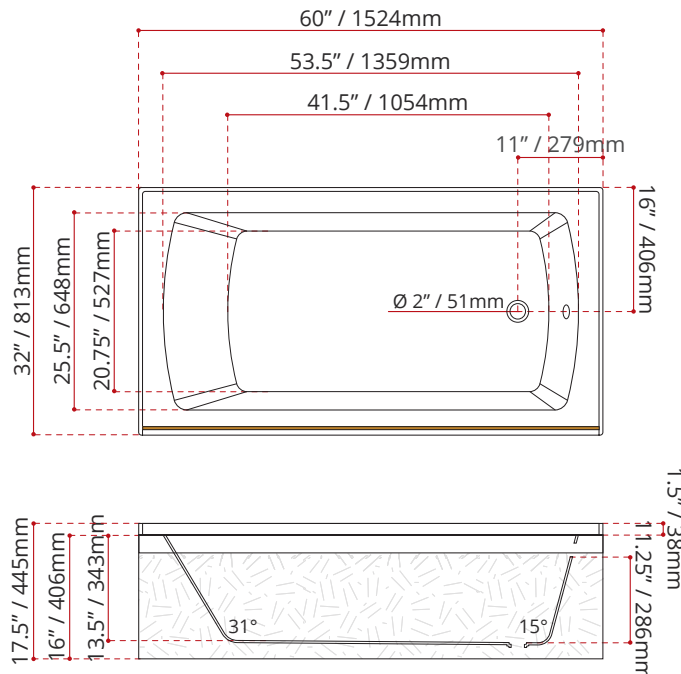
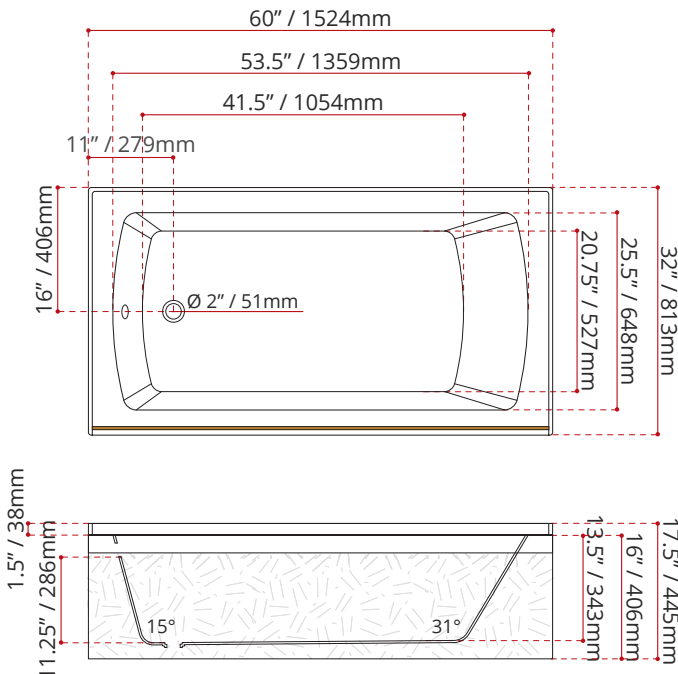


MODEL NUMBER : **3711C1**
(LEFT HAND DRAIN LOCATION)

MADE TO ORDER - NO REFUND - NO RETURN -

MODEL NUMBER : **3721C1**
(RIGHT HAND DRAIN LOCATION)

MADE TO ORDER - NO REFUND - NO RETURN -



DISCLAIMER: Measurements may vary ± 1/4" (Diagram Not to scale)

