

PLAIN PRO SKIRTED SHILA STONE BATHTUB



MODEL No.	FINISH	 ENVIRO SEAL
<b>4195</b> LEFT HAND DRAIN LOCATION	 <b>MATTE BLACK</b>	
<b>4215</b> RIGHT HAND DRAIN LOCATION		

DIMENSIONS	WATER DEPTH	CAPACITY
<ul style="list-style-type: none"> <li>• Length: 60" / 1524mm</li> <li>• Width: 30" / 762mm</li> <li>• Skirt Height: 20" / 508mm</li> </ul>	13" / 330mm Drain to overflow	50.2 gal. 190 litres of water

**PRODUCT INFORMATION:**

Shila Stone is highly resistant to staining and chemical cleaners. Moreover, its non-porous, bacteriostatic surface limits the growth of microorganisms, making it a perfectly hygienic material.

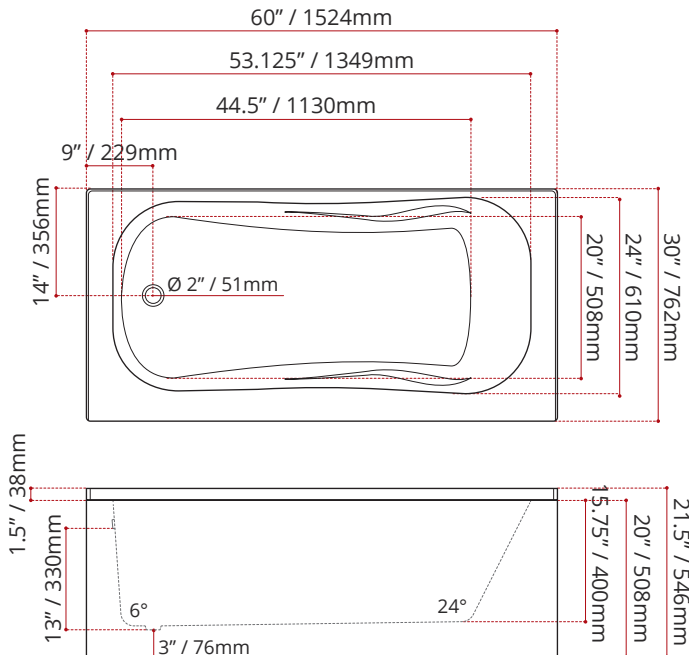
- Modern style
- Plain skirt
- End drain
- Made in Canada
- Hygienic material
- Comes with integral armrests
- **Made from Shila Stone cast resin**
- Stain, scratch and crack resistance
- Complies with CSA & IAPMO standards

**SHIPPING INFORMATION:**

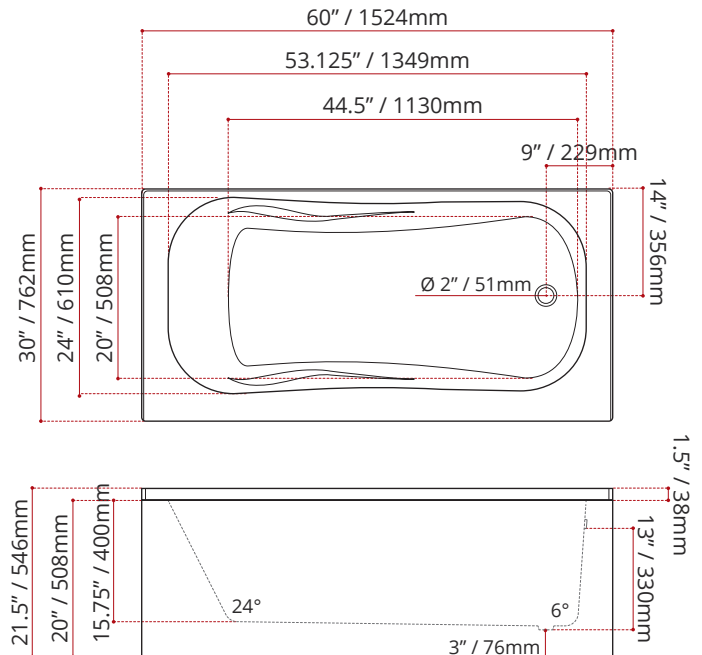
KG/LBS

- Length: 62" / 1575mm
- Width: 34" / 864mm
- Height: 26" / 660mm
- Net Weight: 30 kg / 66 lbs
- Gross Weight: 35.8 kg / 79 lbs

MODEL NUMBER : 4195  
(LEFT HAND DRAIN LOCATION)



MODEL NUMBER : 4215  
(RIGHT HAND DRAIN LOCATION)



DISCLAIMER: Measurements may vary ± 1/4" (Diagram Not to scale)

