



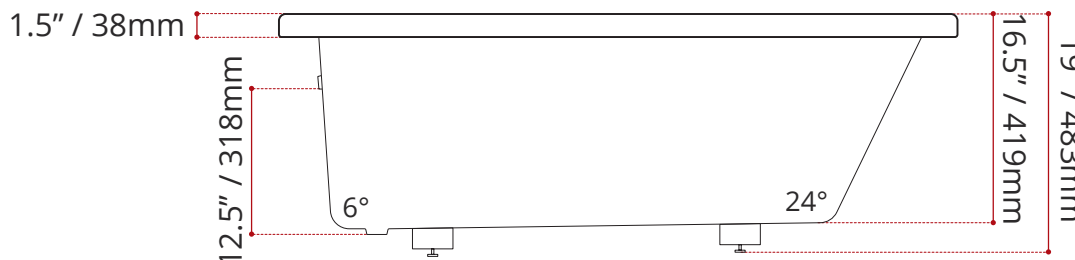
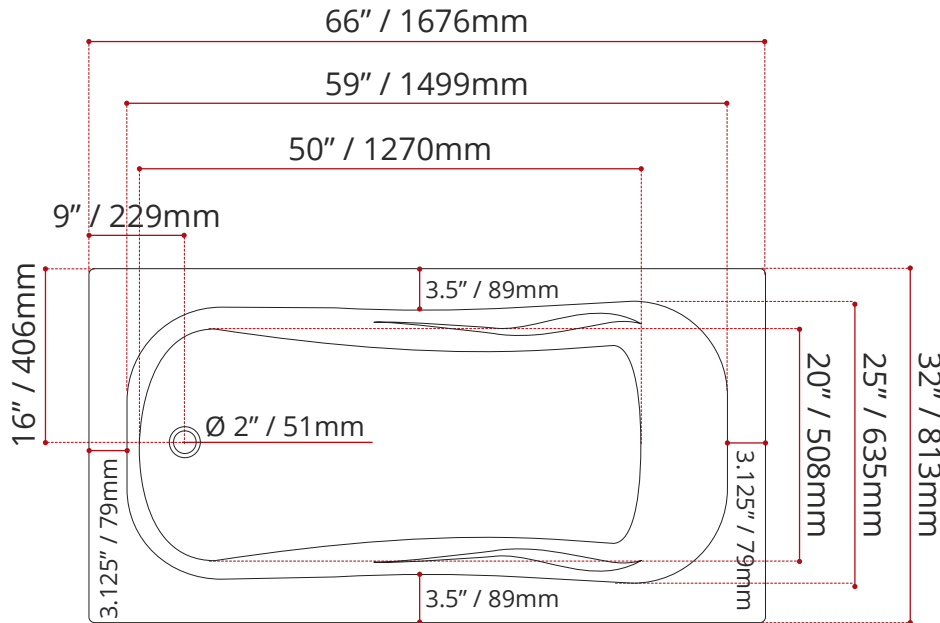
WHITE FINISH
MODEL No.
<b>4381</b>

BLACK FINISH	BISCUIT FINISH
MODEL No.	MODEL No.
<b>4382</b>	<b>4383</b>
<i>COLOUR OPTIONS ARE MADE TO ORDER - NO REFUND - NO RETURN -</i>	

DIMENSIONS	WATER DEPTH	CAPACITY
<ul style="list-style-type: none"> <li>• Length: 66" / 1676mm</li> <li>• Width: 32" / 813mm</li> <li>• Height: 19" / 483mm</li> </ul>	12.5" / 318mm Drain to overflow	64.8 gal. 245.6 litres of water

PRODUCT INFORMATION:
<ul style="list-style-type: none"> <li>• Modern style</li> <li>• End drain</li> <li>• Made in Canada</li> <li>• Drop-in installation</li> <li>• High gloss / Crack-resistant acrylic</li> <li>• Complies with CSA &amp; IAPMO standards</li> </ul>

SHIPPING INFORMATION:
<ul style="list-style-type: none"> <li>• Length: 68" / 1727mm</li> <li>• Width: 34" / 864mm</li> <li>• Height: 26" / 660mm</li> <li>• Net Weight: 30 kg / 66 lbs</li> <li>• Gross Weight: 35.8 kg / 79 lbs</li> </ul>



DISCLAIMER: Measurements may vary ± 1/4" (Diagram Not to scale)



**CUSTOMIZE YOUR TUB**

*ALL UPCHARGE OPTIONS ARE MADE TO ORDER - NO REFUND - NO RETURN -*

AVAILABLE CUSTOMIZATION OPTIONS	MODEL No.
TEXTURED BOTTOM	<b>C4</b>
12FT. ADD-ON TILING FLANGE	<b>C6</b>
INTEGRAL MOLDED TILING FLANGE	<b>C7</b>
TEXTURED BOTTOM + 12FT. ADD-ON TILING FLANGE	<b>C46</b>
TEXTURED BOTTOM + INTEGRAL MOLDED TILING FLANGE	<b>C47</b>

**JETTING OPTIONS**

*ALL EXPERIENCES ARE MADE TO ORDER - NO REFUND - NO RETURN -*

MODEL No.	DESCRIPTION
<b>E15</b>	16 LATERAL AIR JETS (CHROME) + 1 ROUND LIGHT (WHITE) + 6 THIN LINE TURBO JETS (CHROME)
<b>E33</b>	16 AIR ILLUSION JETS + 2 ROUND LIGHTS (WHITE) + 6 STANDARD THIN LINE JETS (WHITE)
<b>E56</b>	16 SANTE AIR JETS (WHITE) + 1 ROUND LIGHT (WHITE) + 6 STANDARD THIN LINE JETS (WHITE)
<b>E75</b>	16 ZEN AIR JETS (CHROME) + 2 ROUND LIGHTS (WHITE) + 6 SQUARE STANDARD JETS (CHROME)
<b>M16</b>	4 V-MASSEUSE + 16 AIR ILLUSION JETS + 2 ROUND LIGHTS (WHITE)
<b>M33</b>	4 WHIRLPOOL V-MASSEUSE + 16 LATERAL AIR JETS (CHROME) + 1 ROUND LIGHT (WHITE)
<b>062</b>	6 REGULAR WHIRLPOOL WATER JETS - BRUSHED NICKEL
<b>032</b>	16 SANTE AIR JETS (WHITE FINISH) + 1 ROUND LIGHT (WHITE FINISH)

*FOR MORE EXPERIENCES, JETTING OPTIONS & ACCESSORIES  
PLEASE REFER TO THE JETTING GUIDE*

**HOW TO CREATE THE MODEL NUMBER**

When configuring a bathtub please follow the correct order of the configuration options.

**COLOUR OPTION + CUSTOMIZATIONS + JETTING OPTIONS**

Let's break down an example — Here is Model No.

**4381C4E56**

**4381**C4E56 (PRO6632DI WHITE FINISH)

4381**C4**E56 (TEXTURED BOTTOM)

4381C4**E56** (JETTING OPTION)

PRO6632DI WHITE FINISH + TEXTURED BOTTOM + 16 SANTE AIR JETS (WHITE) +  
1 ROUND LIGHT (WHITE) + 6 STANDARD THIN LINE JETS (WHITE)