

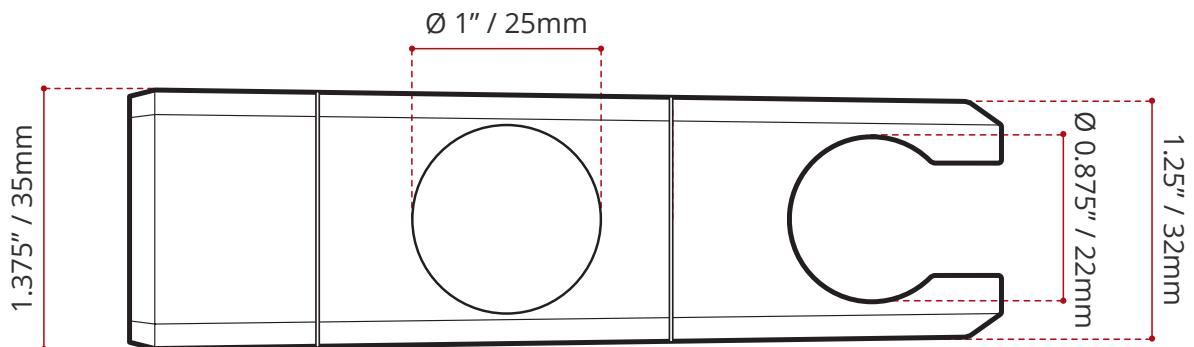
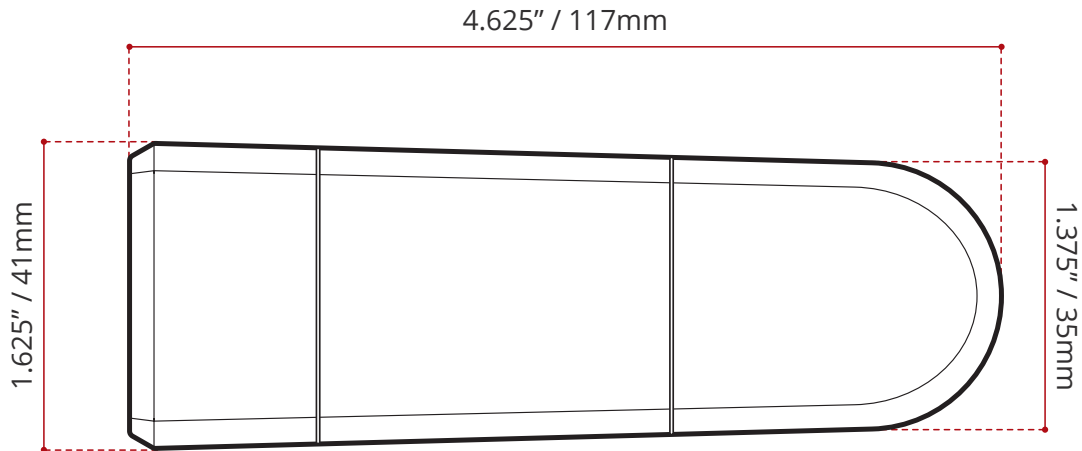


PRODUCT INFORMATION:

- Rod holder for VF-21855CH
- Chrome Finish

SHIPPING INFORMATION:

- Length: 5" / 127mm
- Width: 5" / 127mm
- Height: 5" / 127mm
- Net Weight: 0.5kg / 1.1lbs.
- Gross Weight: 0.750kg / 1.6lbs.



DISCLAIMER: Measurements may vary ± ¼" (Diagram Not to scale)