



COLOUR OPTIONS ARE MADE TO ORDER - NO REFUND - NO RETURN -

BLACK FINISH
MODEL No: SDTCD42422

BISCUIT FINISH
MODEL No: SDTCD42423

Valley's double threshold, center drain acrylic shower bases are meant to be installed a corner setting. All acrylic shower bases have been redesigned with a minimal 3" threshold. Valley's acrylic shower bases are made at our facility in Mission, BC (Canada) out of high gloss, crack-resistant acrylic.

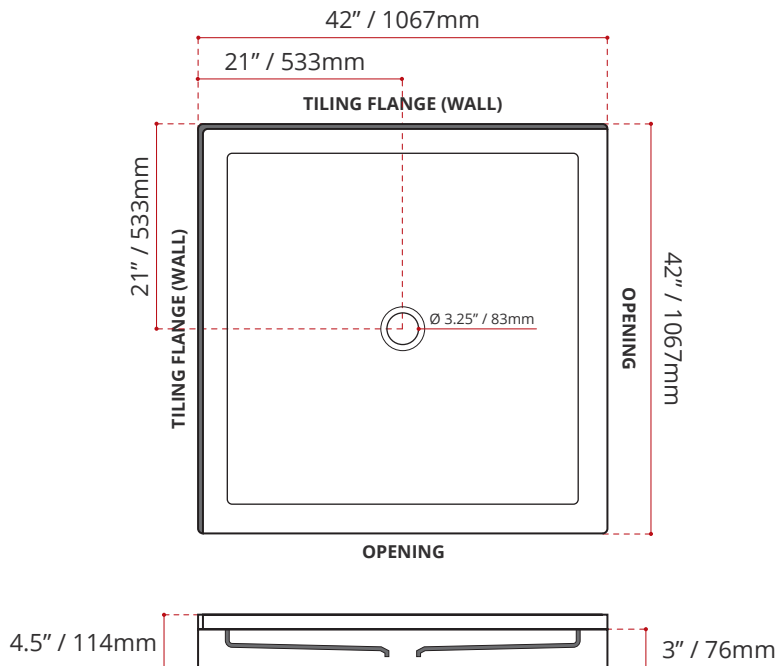
CUSTOMIZE YOUR SHOWER BASE

ALL UPCHARGE OPTIONS ARE MADE TO ORDER - NO REFUND - NO RETURN -

- DESCRIPTION:**
- Double Threshold / Opening
 - **White Finish**
 - **Left or right hand threshold opening**
 - **Center Drain**
 - High gloss / Crack-resistant acrylic.
 - Made in Canada.
 - Complies with CSA & IAPMO standards.

AVAILABLE CUSTOMIZATION OPTIONS	MODEL No.
TEXTURED BOTTOM	C4
DOUBLE TILING FLANGE	C5
TEXTURED BOTTOM + DOUBLE TILING FLANGE	C45

- SHIPPING INFORMATION:**
- Length: 44" / 1118mm
 - Net Weight: 20 kg / 44lbs
 - Width: 44" / 1118mm
 - Gross Weight: 23 kg / 51lbs
 - Height: 8" / 203mm



DISCLAIMER: Measurements may vary ± 1/4" (Diagram Not to scale)

