



LEFT HAND THRESHOLD LOCATION SHOWN

Product images are for illustration purposes only. Actual product(s) may vary.

COLOUR OPTIONS ARE MADE TO ORDER - NO REFUND - NO RETURN -

| |
|---|
| BLACK FINISH |
|  |
| MODEL No: SDTCD6032L2 (LEFT HAND THRESHOLD) |
| MODEL No: SDTCD6032R2 (RIGHT HAND THRESHOLD) |

| |
|---|
| BISCUIT FINISH |
|  |
| MODEL No: SDTCD6032L3 (LEFT HAND THRESHOLD) |
| MODEL No: SDTCD6032R3 (RIGHT HAND THRESHOLD) |

Valley's double threshold, center drain acrylic shower bases are meant to be installed a corner setting. All acrylic shower bases have been redesigned with a minimal 3" threshold. Valley's acrylic shower bases are made at our facility in Mission, BC (Canada) out of high gloss, crack-resistant acrylic.

DESCRIPTION:

- Double Threshold / Opening
- **White Finish**
- **Left or right hand threshold opening**
- **Center Drain**
- High gloss / Crack-resistant acrylic.
- Made in Canada.
- Complies with CSA & IAPMO standards.

CUSTOMIZE YOUR SHOWER BASE

ALL UPCHARGE OPTIONS ARE MADE TO ORDER - NO REFUND - NO RETURN -

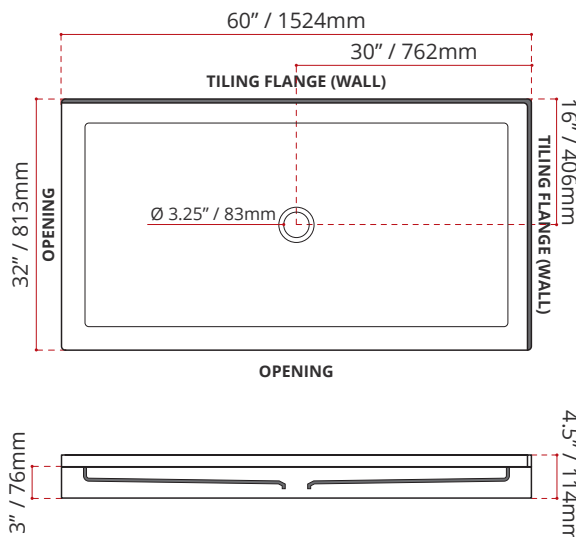
| AVAILABLE CUSTOMIZATION OPTIONS | MODEL No. |
|--|------------|
| TEXTURED BOTTOM | C4 |
| DOUBLE TILING FLANGE | C5 |
| TEXTURED BOTTOM + DOUBLE TILING FLANGE | C45 |

SHIPPING INFORMATION:

- Length: 62" / 1575mm
- Net Weight: 24 kg / 53lbs
- Width: 34" / 864mm
- Gross Weight: 27 kg / 59.5lbs
- Height: 8" / 203mm

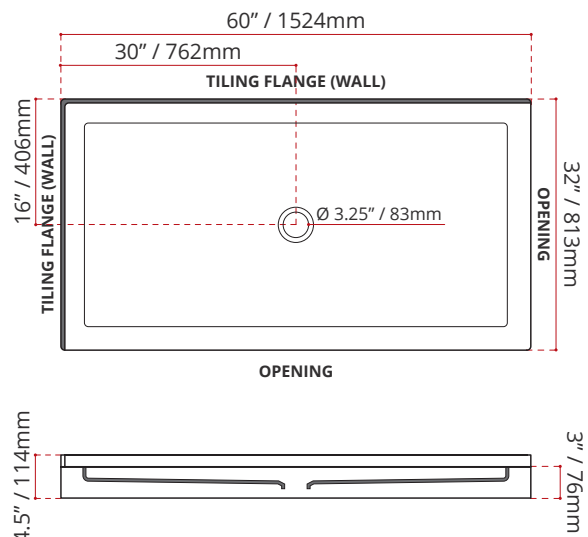
SDTCD6032L1

(LEFT HAND THRESHOLD OPENING)



SDTCD6032R1

(RIGHT HAND THRESHOLD OPENING)



DISCLAIMER: Measurements may vary ± 1/4" (Diagram Not to scale)

