

DESCRIPTION:

- Single bowl 10° radius kitchen sink
- Undermount install
- Handcrafted from T-304 brushed stainless steel
- Durable commercial-grade 16 gauge thickness
- Off-set Back Drain location
- Drain groove design
- StoneGuard undercoated over rubber pad
- Sink grid and basket strainer included

MINIMUM CABINET SIZE:

20" / 508mm

SINK GRID OPTION

BG3737ODGM

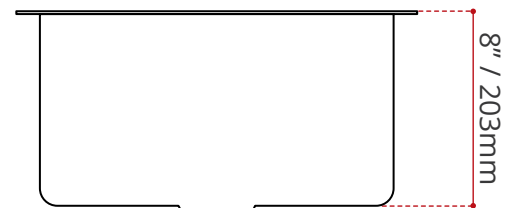
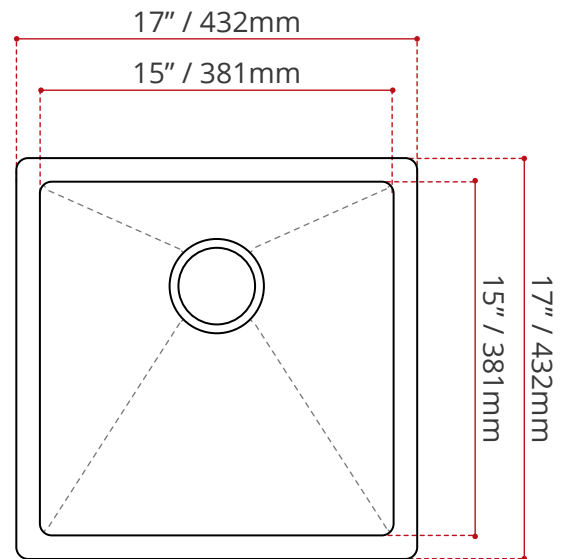
FINISH:



GUN METAL

SHIPPING INFORMATION:

- Length: 19" / 483mm
- Net Weight: 6 kg / 13 lbs.
- Width: 19" / 483mm
- Gross Weight: 7 kg / 15lbs.
- Height: 12" / 305mm



DISCLAIMER:
Measurements may vary ± 1/4"
(Diagram Not to scale)