

**DESCRIPTION:**

- Single bowl 10° radius kitchen sink
- Topmount install
- Handcrafted from T-304 brushed stainless steel
- Durable commercial-grade 16 gauge thickness
- Off-set Back Drain location
- Drain groove design
- StoneGuard undercoated over rubber pad
- Sink grid and basket strainer included

**MINIMUM CABINET SIZE:**

23" / 584mm

**SINK GRID OPTION**

BG4541

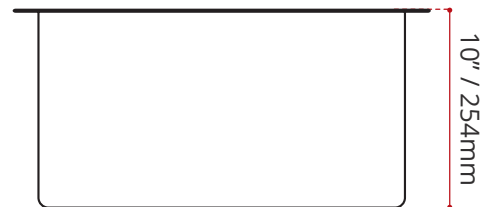
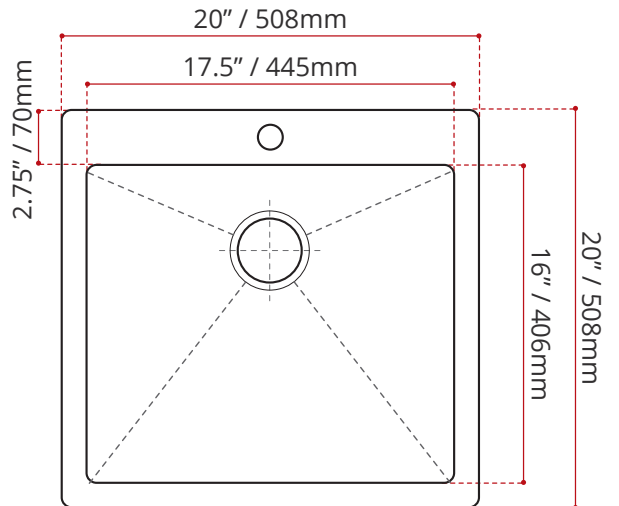
**FINISH:**



BRUSHED STAINLESS STEEL

**SHIPPING INFORMATION:**

- **Length:** 21.25" / 540mm
- **Net Weight:** 9.5 kg / 20 lbs.
- **Width:** 22.5" / 572mm
- **Gross Weight:** 11.5 kg / 25 lbs.
- **Height:** 12.5" / 318mm



DISCLAIMER:  
Measurements may vary ± 1/4"  
(Diagram Not to scale)