





Product images are for illustration purposes only. Actual product(s) may vary.

COLOUR OPTIONS ARE MADE TO ORDER - NO REFUND - NO RETURN -

| |
|---|
| BLACK FINISH |
|  |
| MODEL No: SSTCD42362 |

| |
|---|
| BISCUIT FINISH |
|  |
| MODEL No: SSTCD42363 |

Valley's single threshold, center drain acrylic shower bases are meant to be installed in an alcove setting. Valley's acrylic shower bases are fabricated at our facility in Mission, BC (Canada) out of high gloss, crack-resistant acrylic.

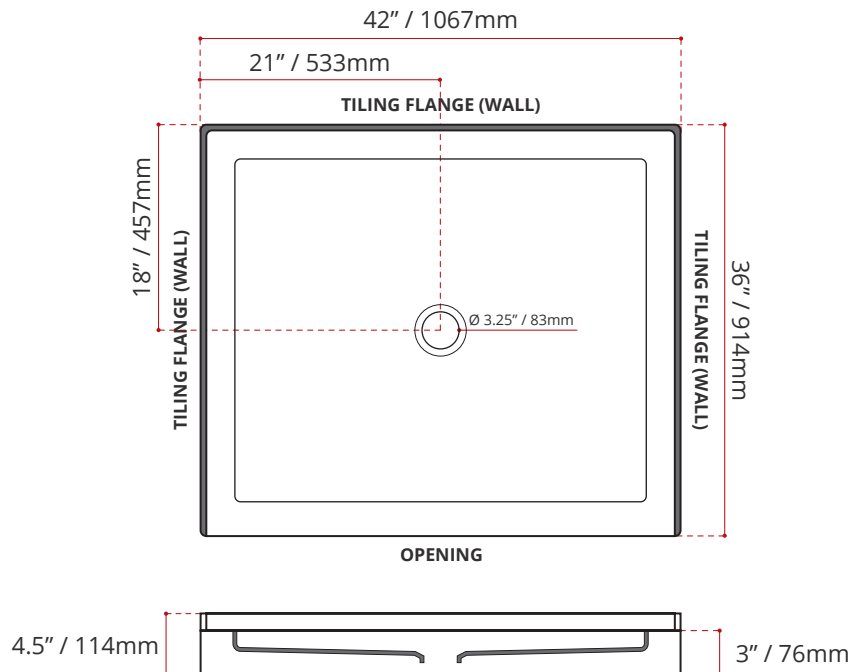
| |
|---|
| DESCRIPTION: |
| <ul style="list-style-type: none"> • Single Threshold / Opening • White Finish • Center Drain • High gloss / Crack-resistant acrylic. • Made in Canada. • Complies with CSA & IAPMO standards. |

CUSTOMIZE YOUR SHOWER BASE

ALL UPCHARGE OPTIONS ARE MADE TO ORDER - NO REFUND - NO RETURN -

| AVAILABLE CUSTOMIZATION OPTIONS | MODEL No. |
|--|------------|
| TEXTURED BOTTOM | C4 |
| DOUBLE TILING FLANGE | C5 |
| TEXTURED BOTTOM + DOUBLE TILING FLANGE | C45 |

| |
|--|
| SHIPPING INFORMATION: |
| <ul style="list-style-type: none"> • Length: 44" / 1118mm • Width: 38" / 965mm • Height: 8" / 203mm • Net Weight: 20 kg / 44lbs • Gross Weight: 23 kg / 51lbs |



DISCLAIMER: Measurements may vary ± 1/4" (Diagram Not to scale)

