



COLOUR OPTIONS ARE MADE TO ORDER - NO REFUND - NO RETURN -

<b>BLACK FINISH</b>
<div style="width: 20px; height: 20px; background-color: black; margin: 0 auto;"></div>
<p>MODEL No: SSTLD5430L2 (LEFT HAND DRAIN)</p> <p>MODEL No: SSTLD5430R2 (RIGHT HAND DRAIN)</p>

<b>BISCUIT FINISH</b>
<div style="width: 20px; height: 20px; background-color: #ffffcc; margin: 0 auto;"></div>
<p>MODEL No: SSTLD5430L3 (LEFT HAND DRAIN)</p> <p>MODEL No: SSTLD5430R3 (RIGHT HAND DRAIN)</p>

Valley's single threshold, offset linear drain acrylic shower bases are meant to be installed in an alcove setting. A white drain cover is included with every purchase. Valley's acrylic shower bases are made out of high gloss, crack-resistant acrylic.

- DESCRIPTION:**
- Single Threshold / Opening
  - **White finish**
  - Off-set Drain location
  - Default white linear drain cover included
  - High gloss / Crack-resistant acrylic
  - Made in Canada
  - Complies with CSA & IAPMO standards.

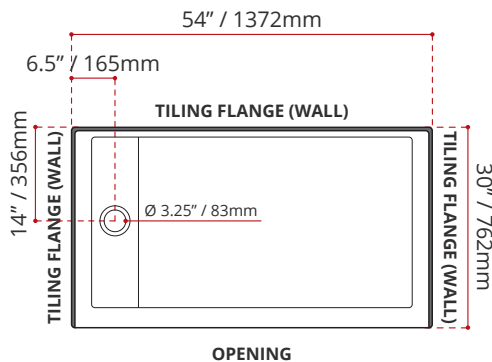
### CUSTOMIZE YOUR SHOWER BASE

ALL UPCHARGE OPTIONS ARE MADE TO ORDER - NO REFUND - NO RETURN -

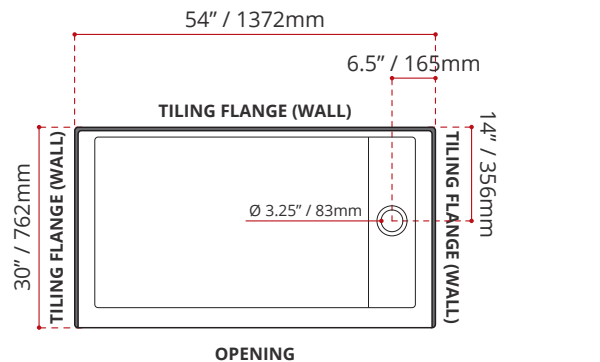
AVAILABLE CUSTOMIZATION OPTIONS	MODEL No.
TEXTURED BOTTOM	<b>C4</b>
DOUBLE TILING FLANGE	<b>C5</b>
TEXTURED BOTTOM + DOUBLE TILING FLANGE	<b>C45</b>

- SHIPPING INFORMATION:**
- Length: 56" / 1422mm
  - Net Weight: 35 kg / 77lbs
  - Width: 34" / 864mm
  - Gross Weight: 40 kg / 88lbs
  - Height: 8" / 203mm

**SSTLD5430L1**  
(LEFT HAND DRAIN LOCATION)



**SSTLD5430R1**  
(RIGHT HAND DRAIN LOCATION)



DISCLAIMER: Measurements may vary ±1/4" (Diagram Not to scale)

