



COLOUR OPTIONS ARE MADE TO ORDER - NO REFUND - NO RETURN -

BLACK FINISH
MODEL No: SSSLTD6036L2 (LEFT HAND DRAIN)
MODEL No: SSSLTD6036R2 (RIGHT HAND DRAIN)

BISCUIT FINISH
MODEL No: SSSLTD6036L3 (LEFT HAND DRAIN)
MODEL No: SSSLTD6036R3 (RIGHT HAND DRAIN)

Valley's single threshold, offset linear drain acrylic shower bases are meant to be installed in an alcove setting. A white drain cover is included with every purchase. Valley's acrylic shower bases are made out of high gloss, crack-resistant acrylic.

<b>DESCRIPTION:</b>
<ul style="list-style-type: none"> <li>• Single Threshold / Opening</li> <li>• <b>White finish</b></li> <li>• Off-set Drain location</li> <li>• Default white linear drain cover included</li> <li>• High gloss / Crack-resistant acrylic</li> <li>• Made in Canada</li> <li>• Complies with CSA &amp; IAPMO standards.</li> </ul>

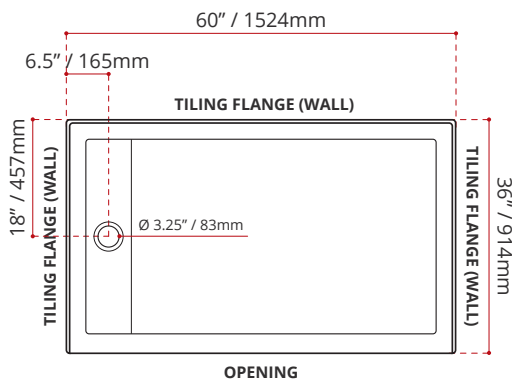
### CUSTOMIZE YOUR SHOWER BASE

ALL UPCHARGE OPTIONS ARE MADE TO ORDER - NO REFUND - NO RETURN -

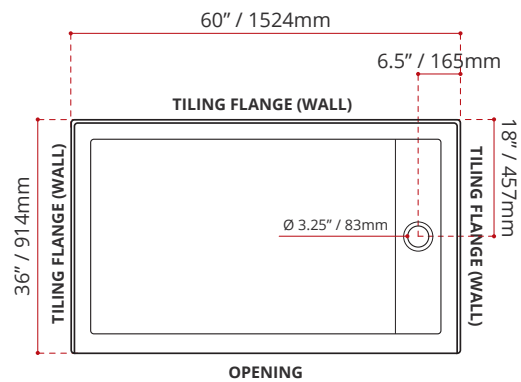
AVAILABLE CUSTOMIZATION OPTIONS	MODEL No.
TEXTURED BOTTOM	<b>C4</b>
DOUBLE TILING FLANGE	<b>C5</b>
TEXTURED BOTTOM + DOUBLE TILING FLANGE	<b>C45</b>

<b>SHIPPING INFORMATION:</b>
<ul style="list-style-type: none"> <li>• Length: 62" / 1575mm</li> <li>• Width: 38" / 965mm</li> <li>• Height: 8" / 203mm</li> <li>• Net Weight: 35 kg / 77lbs</li> <li>• Gross Weight: 40 kg / 88lbs</li> </ul>

**SSSLTD6036L1**  
(LEFT HAND DRAIN LOCATION)



**SSSLTD6036R1**  
(RIGHT HAND DRAIN LOCATION)



DISCLAIMER: Measurements may vary ±1/4" (Diagram Not to scale)

