



COLOUR OPTIONS ARE MADE TO ORDER - NO REFUND - NO RETURN -

BLACK FINISH
MODEL No: SSTLD6642L2 (LEFT HAND DRAIN)
MODEL No: SSTLD6642R2 (RIGHT HAND DRAIN)

BISCUIT FINISH
MODEL No: SSTLD6642L3 (LEFT HAND DRAIN)
MODEL No: SSTLD6642R3 (RIGHT HAND DRAIN)

Valley's single threshold, offset linear drain acrylic shower bases are meant to be installed in an alcove setting. A white drain cover is included with every purchase. Valley's acrylic shower bases are made out of high gloss, crack-resistant acrylic.

DESCRIPTION:
<ul style="list-style-type: none"> • Single Threshold / Opening • White finish • Off-set Drain location • Default white linear drain cover included • High gloss / Crack-resistant acrylic • Made in Canada • Complies with CSA & IAPMO standards.

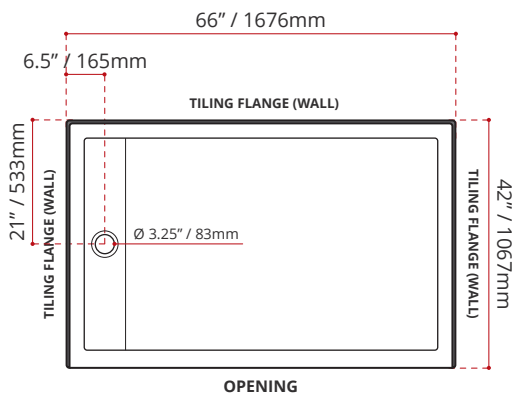
CUSTOMIZE YOUR SHOWER BASE

ALL UPCHARGE OPTIONS ARE MADE TO ORDER - NO REFUND - NO RETURN -

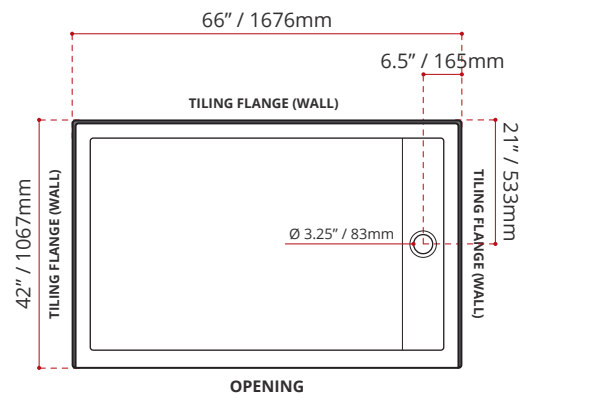
AVAILABLE CUSTOMIZATION OPTIONS	MODEL No.
TEXTURED BOTTOM	C4
DOUBLE TILING FLANGE	C5
TEXTURED BOTTOM + DOUBLE TILING FLANGE	C45

SHIPPING INFORMATION:
<ul style="list-style-type: none"> <li style="width: 50%;">• Length: 68" / 1727mm <li style="width: 50%;">• Net Weight: 35 kg / 77lbs <li style="width: 50%;">• Width: 44" / 1118mm <li style="width: 50%;">• Gross Weight: 40 kg / 88lbs <li style="width: 50%;">• Height: 8" / 203mm

SSTLD6642L1
(LEFT HAND DRAIN LOCATION)



SSTLD6642R1
(RIGHT HAND DRAIN LOCATION)



DISCLAIMER: Measurements may vary ±1/4" (Diagram Not to scale)

