

## TRIPLE THRESHOLD CENTER DRAIN MATTE WHITE SHILA STONE SHOWER BASE

MADE TO ORDER - NO REFUND - NO RETURN -



Product images are for illustration purposes only. Actual product(s) may vary.

### PRODUCT INFORMATION:

Shila Stone is highly resistant to staining and chemical cleaners. Moreover, its non-porous, bacteriostatic surface limits the growth of microorganisms, making it a perfectly hygienic material.

- Triple Threshold / Opening
- **Center Drain**
- **Matte White Finish**
- Made in Canada
- Hygienic material
- **Made from Shila Stone cast resin**
- Stain, scratch and crack resistance
- Complies with CSA & IAPMO standards



ENVIRO SEAL

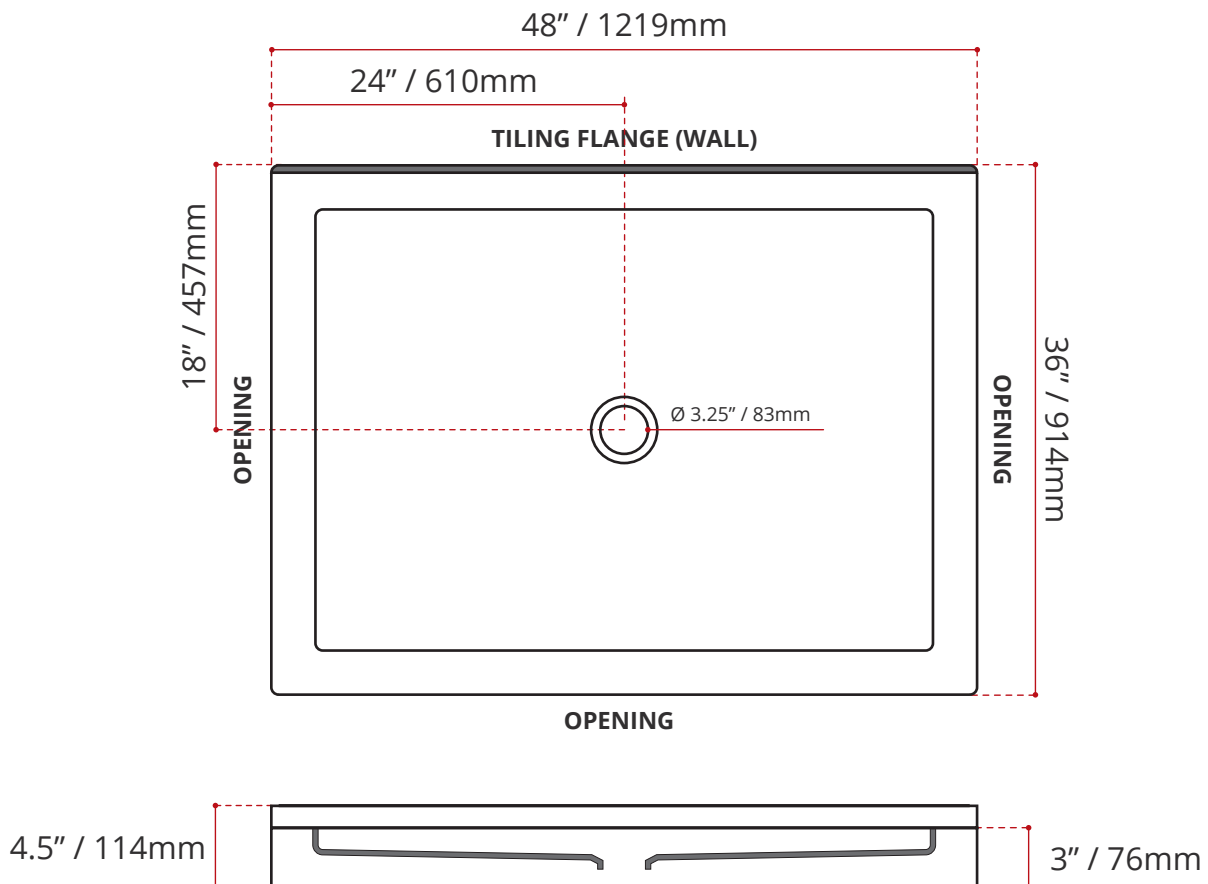
### CUSTOMIZE YOUR SHOWER BASE

ALL UPCHARGE OPTIONS ARE MADE TO ORDER - NO REFUND - NO RETURN -

AVAILABLE CUSTOMIZATION OPTIONS	MODEL No.
TEXTURED BOTTOM	<b>C4</b>
DOUBLE TILING FLANGE	<b>C5</b>
TEXTURED BOTTOM + DOUBLE TILING FLANGE	<b>C45</b>

### SHIPPING INFORMATION:

- Length: 50" / 1270mm
- Net Weight: 23 kg / 51lbs
- Width: 38" / 965mm
- Gross Weight: 25 kg / 55lbs
- Height: 8" / 203mm



DISCLAIMER: Measurements may vary ± 1/4" (Diagram Not to scale)



Complies With:  
CSA B245.1 (2004)  
CSA B45.5 (2002)  
ANSI Z124.1.2 (2005)