




COLOUR OPTIONS ARE MADE TO ORDER - NO REFUND - NO RETURN -

BLACK FINISH

MODEL No: STTLD7236L2 (LEFT HAND DRAIN)
MODEL No: STTLD7236R2 (RIGHT HAND DRAIN)

BISCUIT FINISH

MODEL No: STTLD7236L3 (LEFT HAND DRAIN)
MODEL No: STTLD7236R3 (RIGHT HAND DRAIN)

Valley's triple threshold, offset linear drain acrylic shower bases have three openings and a tiling flange across the back wall. Complies with CSA & IAPMO standards.

<b>DESCRIPTION:</b>
<ul style="list-style-type: none"> <li>• Triple Threshold / Opening</li> <li>• <b>White finish</b></li> <li>• <b>Off-set Drain location</b></li> <li>• <b>Default white linear drain cover included</b></li> <li>• High gloss / Crack-resistant acrylic</li> <li>• Made in Canada</li> <li>• Complies with CSA &amp; IAPMO standards.</li> </ul>

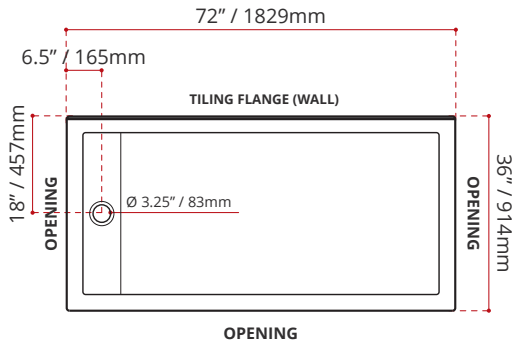
### CUSTOMIZE YOUR SHOWER BASE

ALL UPCHARGE OPTIONS ARE MADE TO ORDER - NO REFUND - NO RETURN -

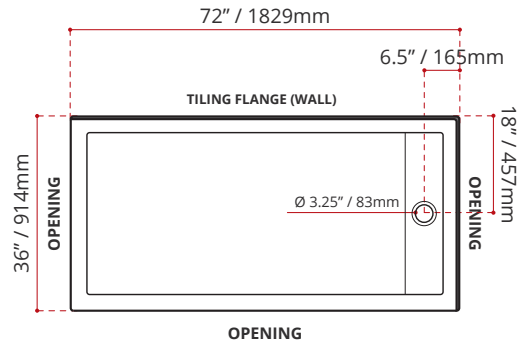
AVAILABLE CUSTOMIZATION OPTIONS	MODEL No.
TEXTURED BOTTOM	<b>C4</b>
DOUBLE TILING FLANGE	<b>C5</b>
TEXTURED BOTTOM + DOUBLE TILING FLANGE	<b>C45</b>

<b>SHIPPING INFORMATION:</b>
<ul style="list-style-type: none"> <li>• Length: 74" / 1880mm</li> <li>• Width: 38" / 965mm</li> <li>• Height: 8" / 203mm</li> <li>• Net Weight: 35 kg / 77lbs</li> <li>• Gross Weight: 40 kg / 88lbs</li> </ul>

**STTLD7236L1**  
(LEFT HAND DRAIN LOCATION)



**STTLD7236R1**  
(RIGHT HAND DRAIN LOCATION)



DISCLAIMER: Measurements may vary ±1/4" (Diagram Not to scale)

