



DESCRIPTION:

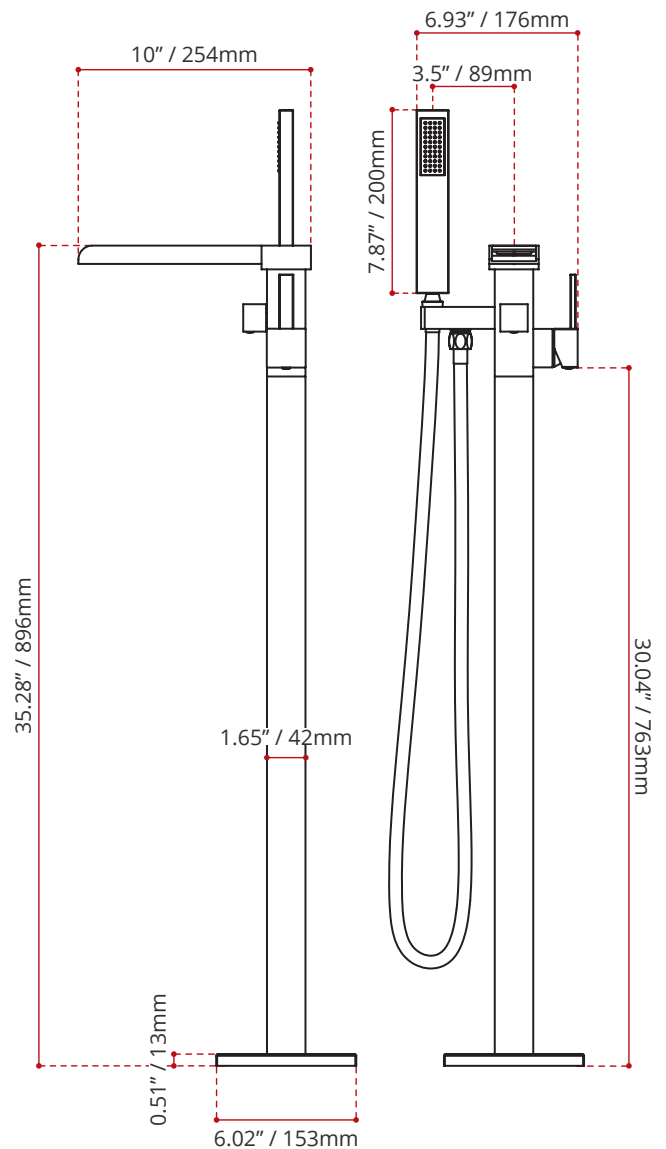
- Freestanding tub filler w/handshower
- Rough-in not included
- For use with 000.136.000 Universal rough-in
- Chrome Finish
- Easy to install
- Square Design
- 59" hose

FLOW RATE

45psi 5.8GPM
60psi 6.6GPM

SHIPPING INFORMATION:

- Length: 13.25" / 337mm
- Net Weight: 8 kg / 17.6 lbs.
- Width: 8.75" / 222mm
- Gross Weight: 9 kg / 19.8 lbs.
- Height: 37.5" / 953mm



DISCLAIMER: Measurements may vary ± ¼" (Diagram Not to scale)