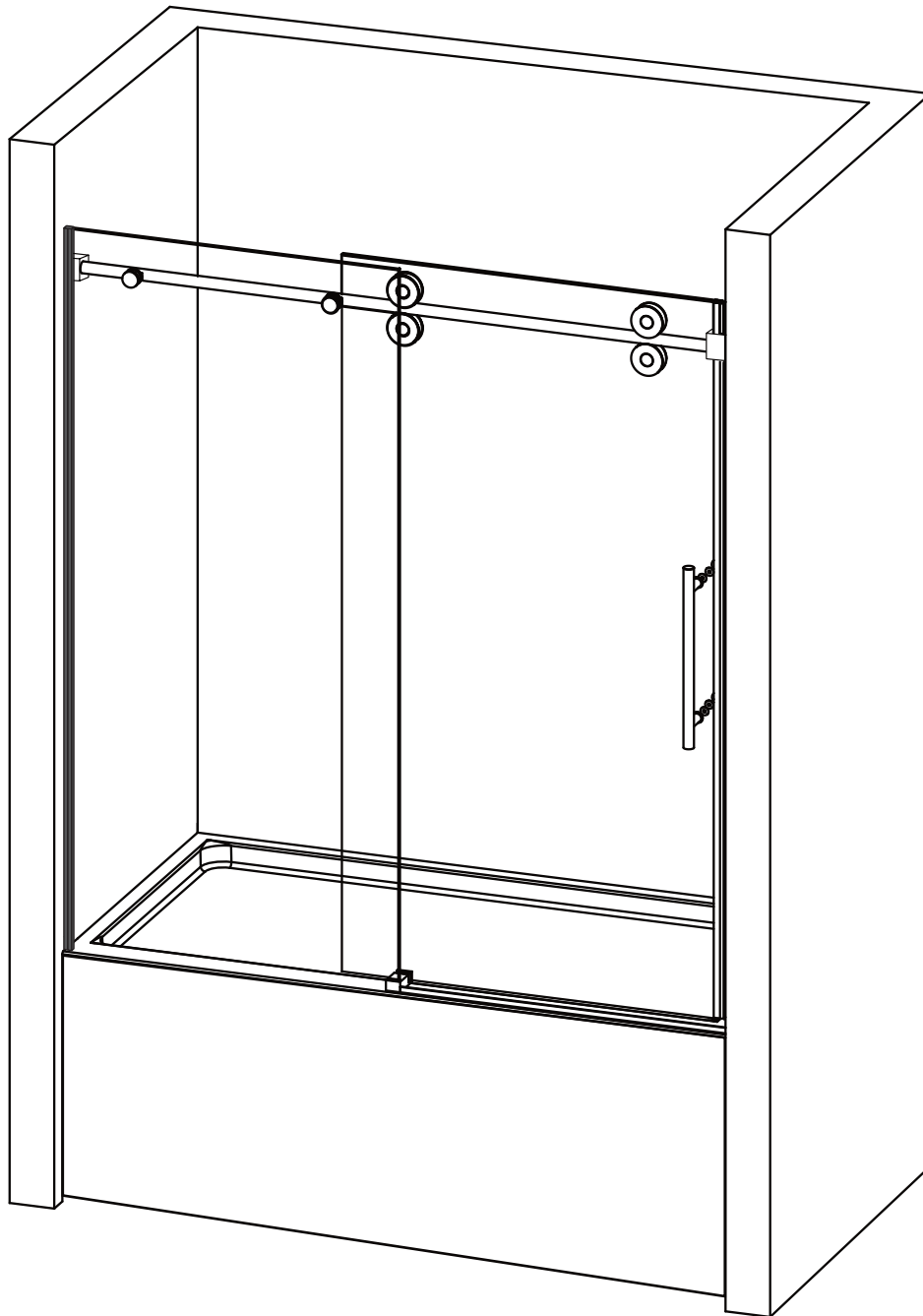


INSTALLATION GUIDE



INSTALLATION GUIDE

Thank you for choosing Valley Acrylic Products. This installation manual provides general information on the installation of our products.

BEFORE YOU BEGIN

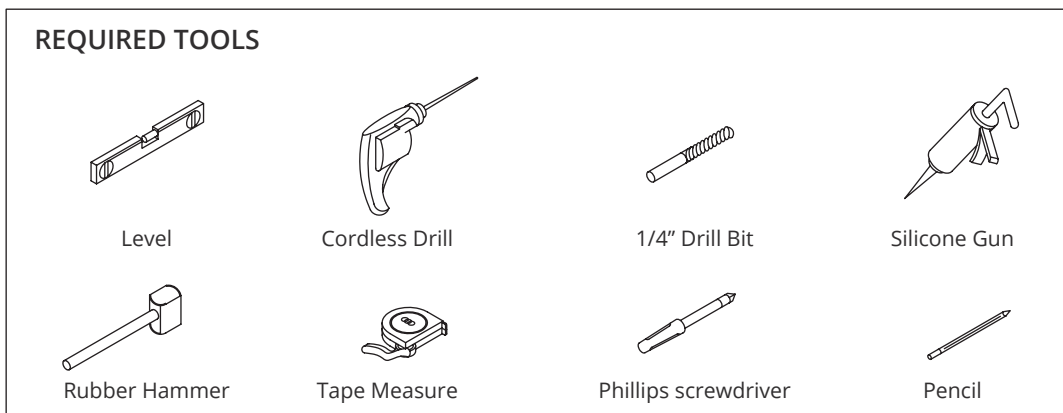
- Prior to installation, examine all boxes and packages for shipping damage and compare the piece count with your packing slip. After opening all boxes and packages read this instruction carefully. Check that all of the needed parts are included in the package by checking off the components on the “Detailed Diagram of Bathtub Enclosure Components”. If the unit has been damaged, has a finishing defect, or has missing parts, Please contact us for replacements within 3 business days. Please note that we will not replace any damaged product or missing parts free of charge after 3 business days or if the product has been installed.
- Prior to installation, please ensure that the surface is level and solid and will be able to support the total weight of the unit. Also make sure that the walls are plumb. Depending on the type of unit you are installing, some adjustments in leveling may be possible. However, irregular installation surface level or out-of-square conditions can result in serious problems for your installation. Please note that some adjustments and drilling may be necessary. Please protect all primary surfaces of the product during installation.
- **NOTE:** *This door is reversible for right or left-hand door installation. The right-hand door installation is shown as an example throughout this manual. For left-hand door installation, simply begin on the opposite wall and reverse the orientation of the steps shown.*



IMPORTANT INFORMATION



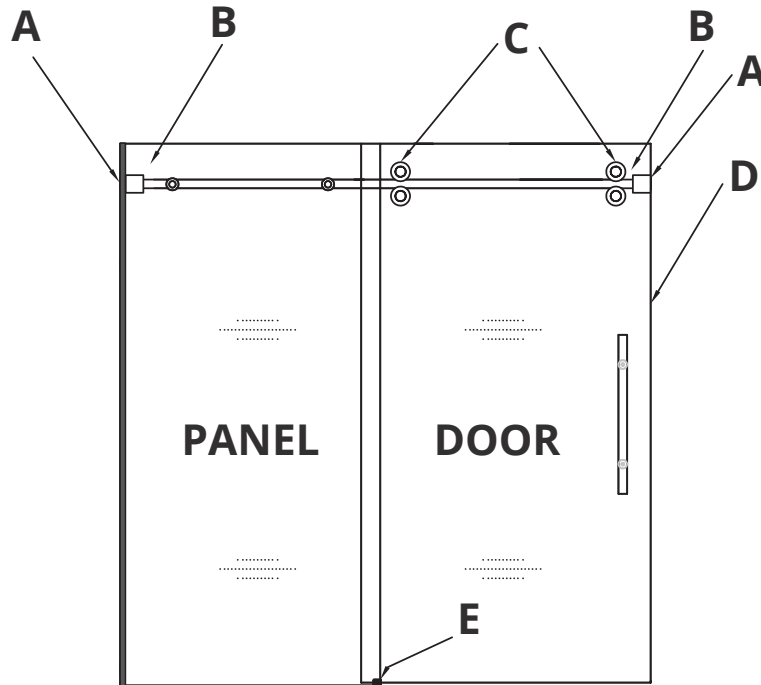
***ALL BATHTUB DOORS NEED TO BE DRY-FITTED
BEFORE DRILLING ANY HOLE***



INSTALLATION GUIDE



IMPORTANT INFORMATION



- A. Guide Rail Brackets** must be firmly attached to the wall. Installation into a stud is strongly recommended. All of the guide rail bracket set screws must be tightened.
- B. Thread Lock** must be applied to both stopper set screws. Panel-side stopper must be installed into the pre-drilled stopper hole in the upper guide rail. Door-side stopper must be installed at the proper position to stop the door from contacting the wall.
- C. Roller Wheel Safety Set Screws** must be re-tightened after installation.
- D. Bumper Vinyl Seal** must be installed on the closing edge of the door glass.
- E. The Guide Block** must be installed square to the panel glass and door glass. Installing the guide block crooked may damage the bottom edge of the door glass and lead to breakage.

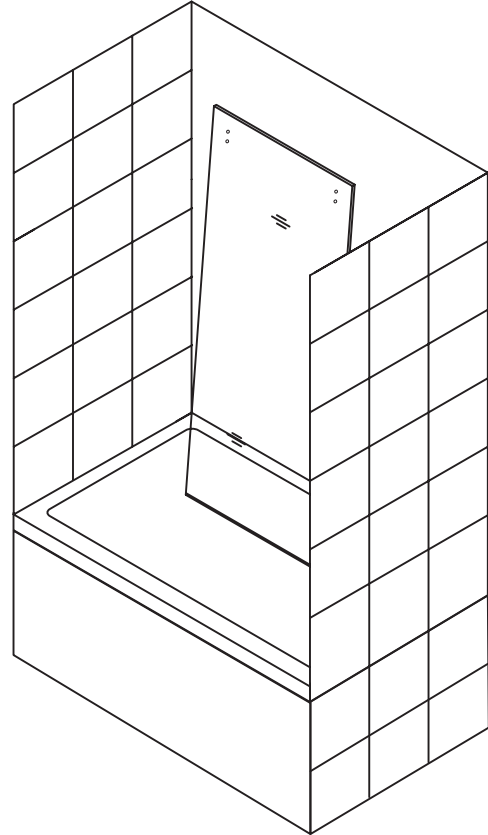
INSTALLATION GUIDE



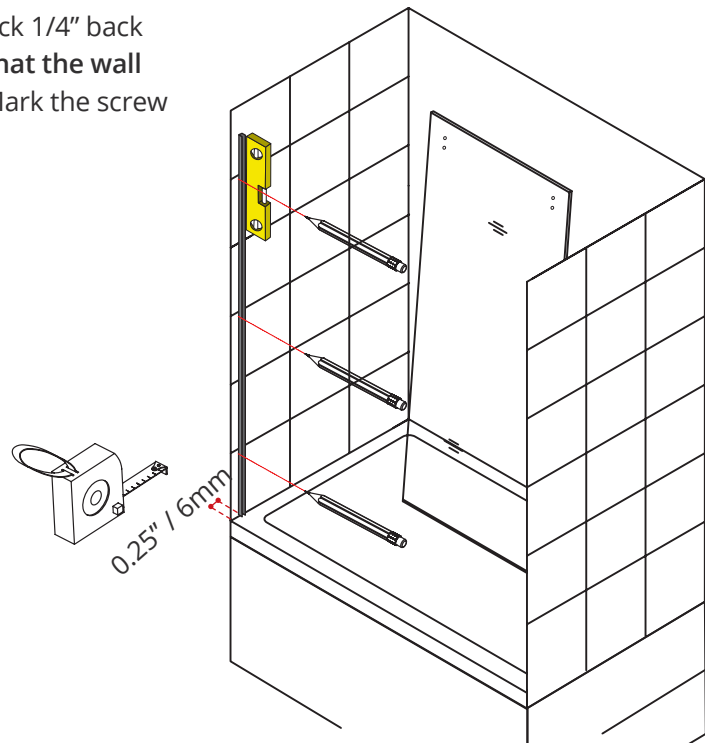
IMPORTANT INFORMATION



- 01** Place the sliding door panel inside the bathtub to simplify following installation procedures. Ensure placing the panel onto a cushioned surface, such as a towel or cardboard, to prevent damage either to the panel or the bathtub.

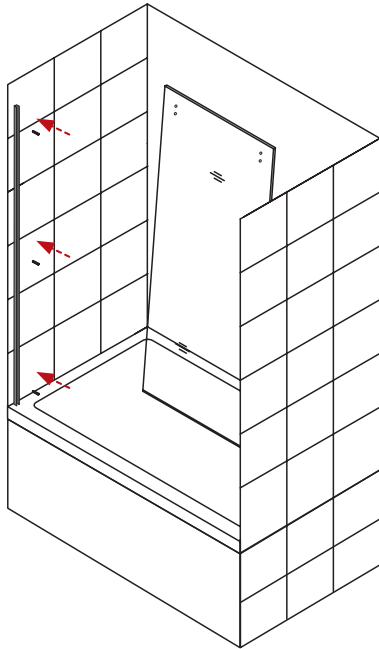
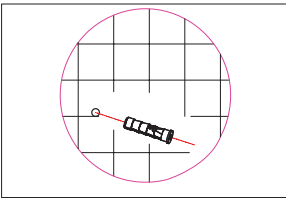
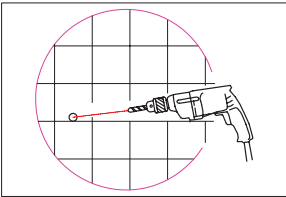


- 02** **Fixed Panel Installation**
Position the wall profile on threshold, set back 1/4" back from the front of the bathhub edge. **Ensure that the wall profile is level.** Mark the screw location & Mark the screw position.

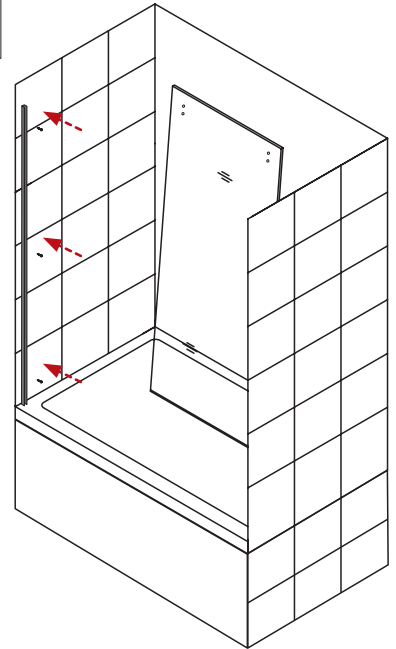
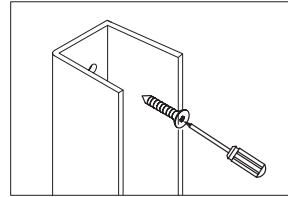


INSTALLATION GUIDE

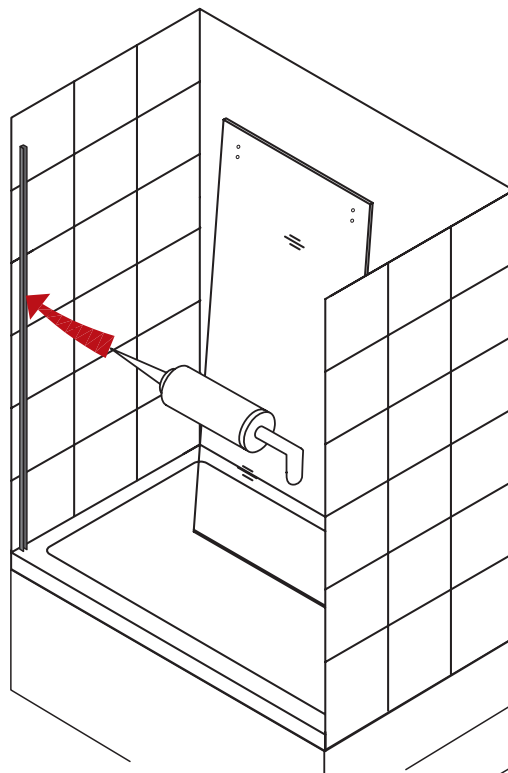
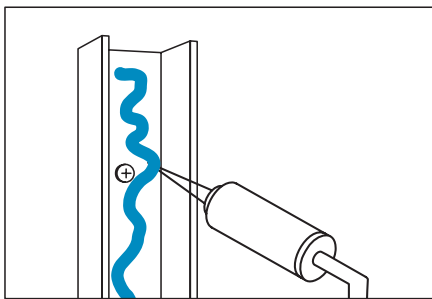
03 3.1 - Drill the screw holes on wall.
Tighten the wall anchor on wall.



3.2 - Install the wall profile into place.

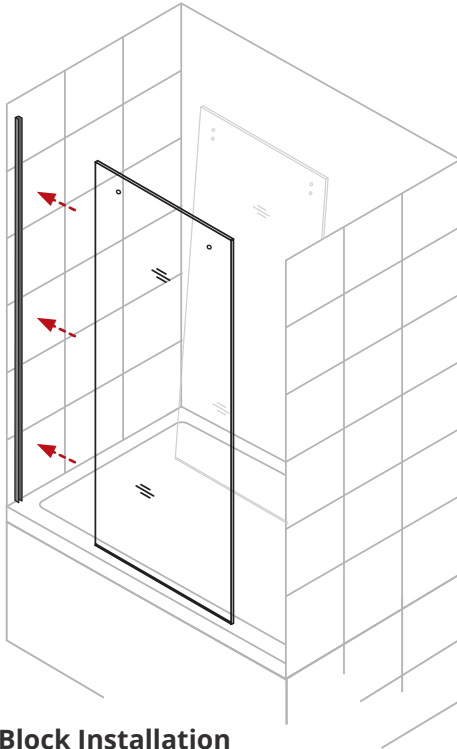


04 Apply silicone inside the wall profile as shown

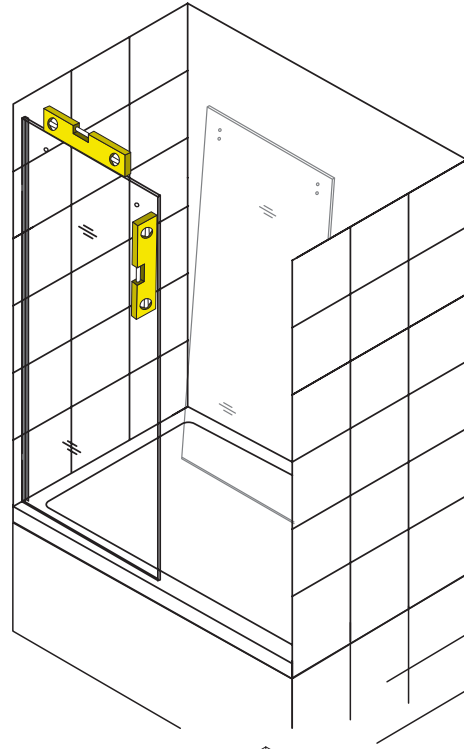


INSTALLATION GUIDE

05 5.1 Place the fixed panel on the wall profile.

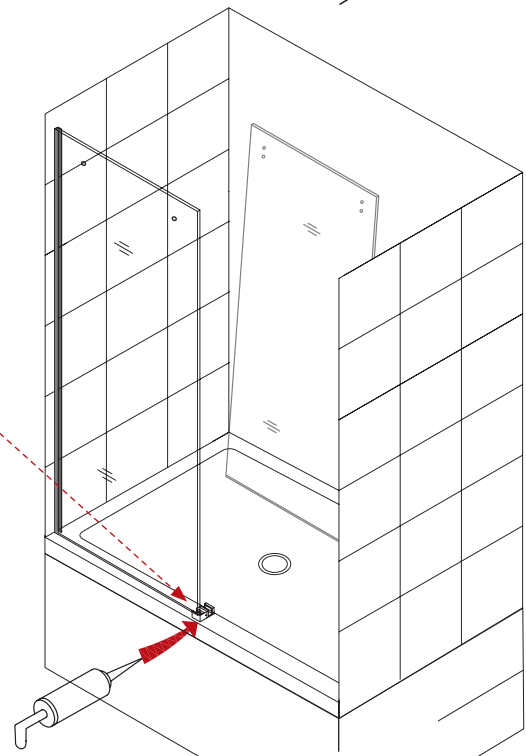
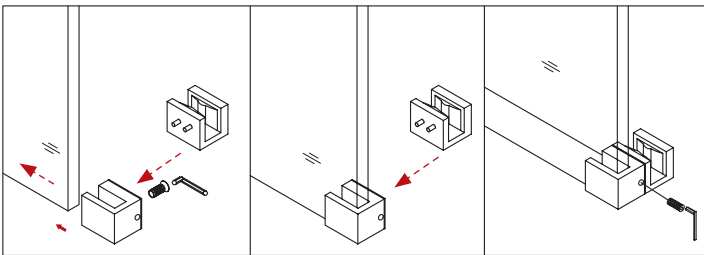


5.2 Make sure the fixed panel is level



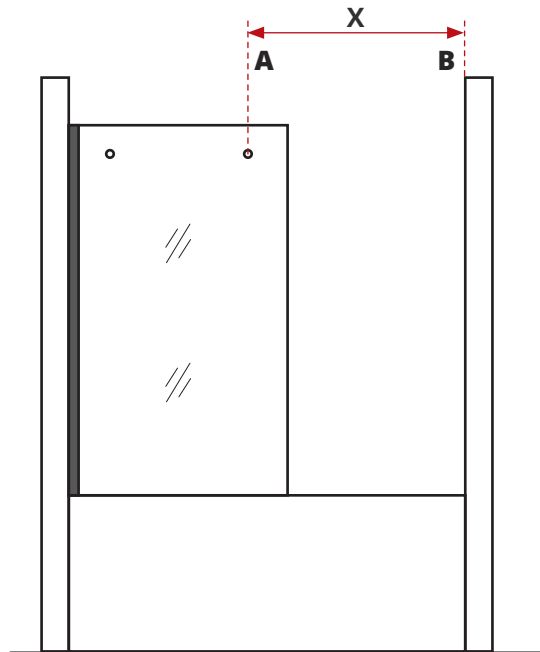
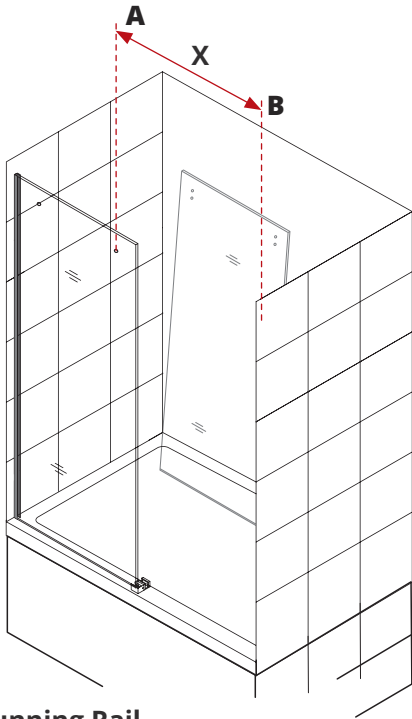
06 **Guide Block Installation**

Assemble the Guide Block on the bathtub threshold and adjust into a precise position. Apply silicone to the bottom of the Guide Block.



INSTALLATION GUIDE

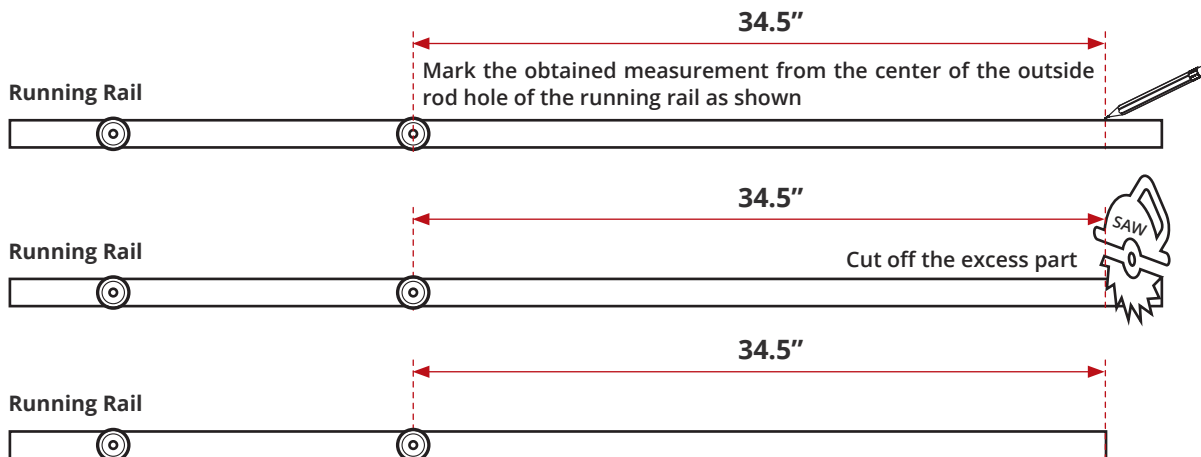
- 07** Measure the distance from the center of the outside hole of the fixed panel (**A**) to the tile wall (**B**) as shown.



- 08** **Running Rail**
The Running Rail needs to be cut a 1/2" shorter of the overall opening (**X**).

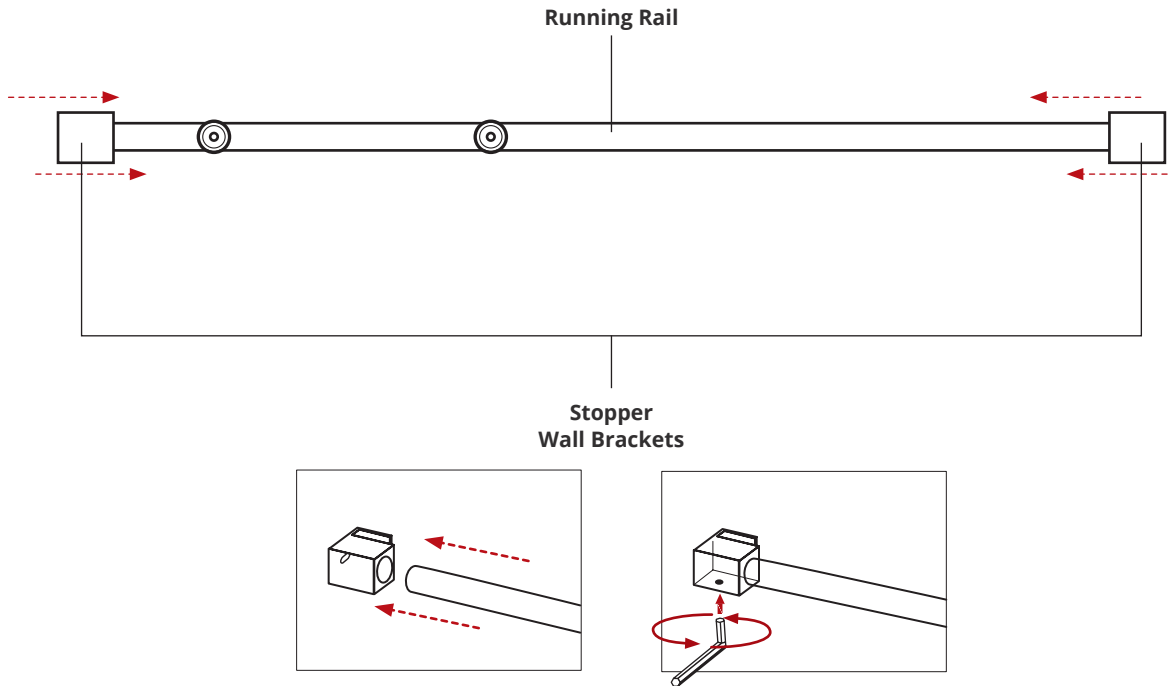
Let's break down an example

Measurement X = 35" minus 1/2" = **34.5"**

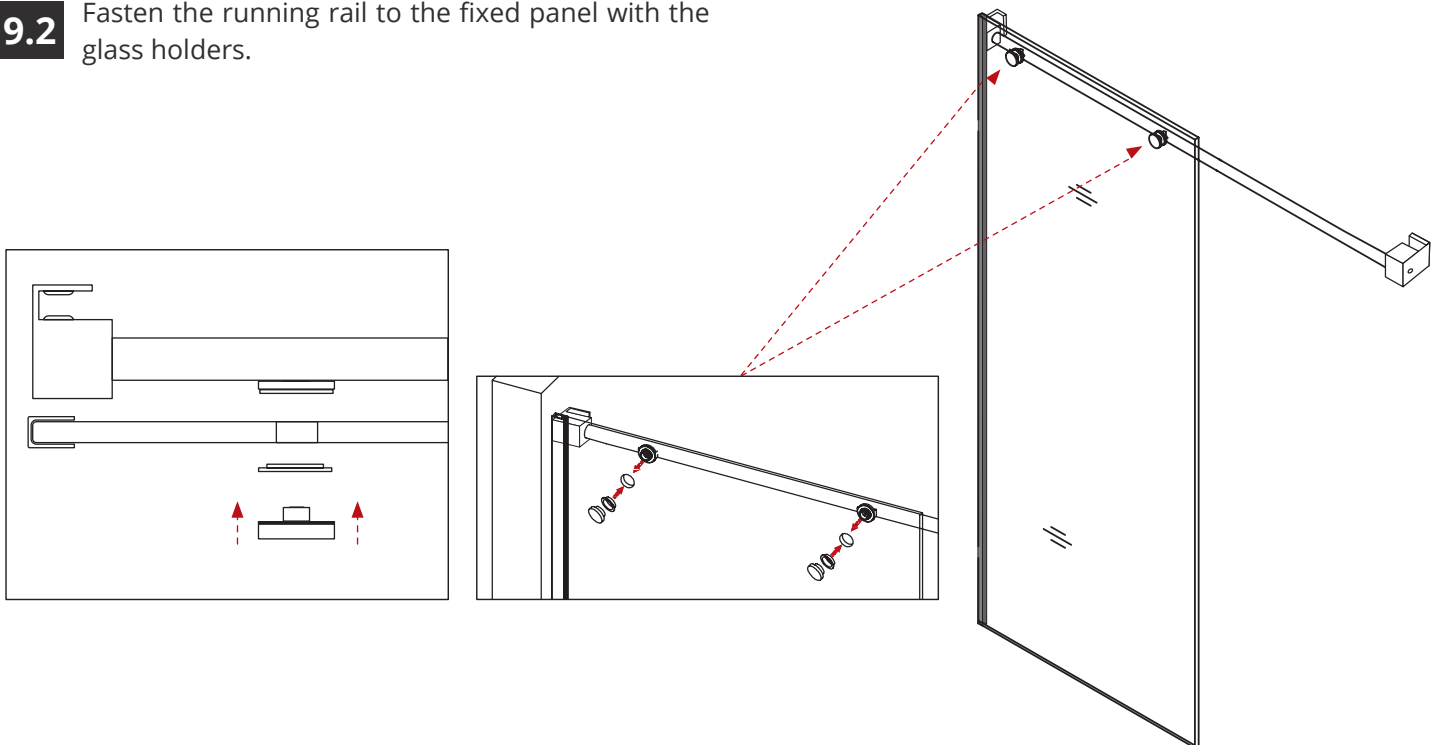


INSTALLATION GUIDE

- 9.1** Position the stoppers wall brackets on the running rail as illustrated. Secure them temporarily in place

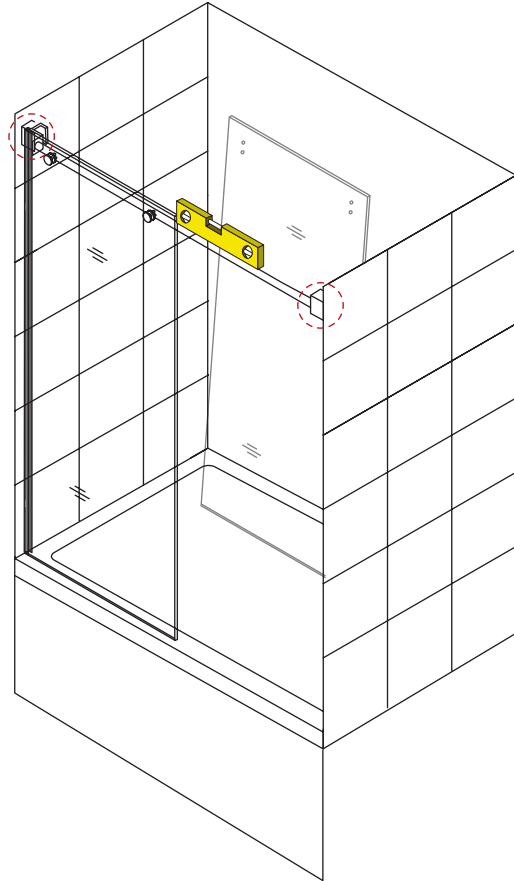
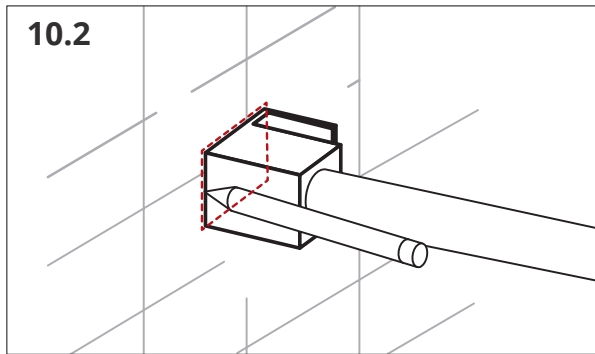
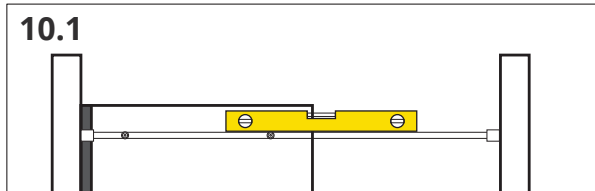


- 9.2** Fasten the running rail to the fixed panel with the glass holders.

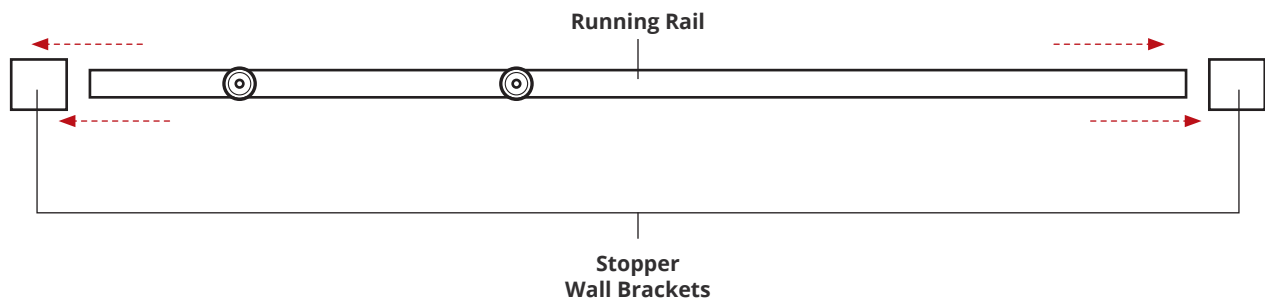
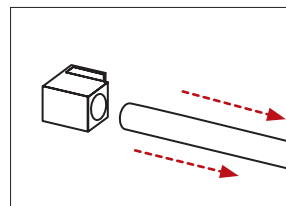
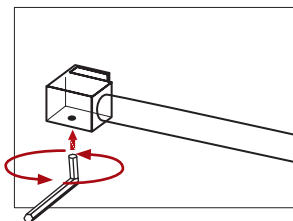


INSTALLATION GUIDE

- 10** 10.1 - Level the running rail
10.2 Mark the stopper bracket position as shown

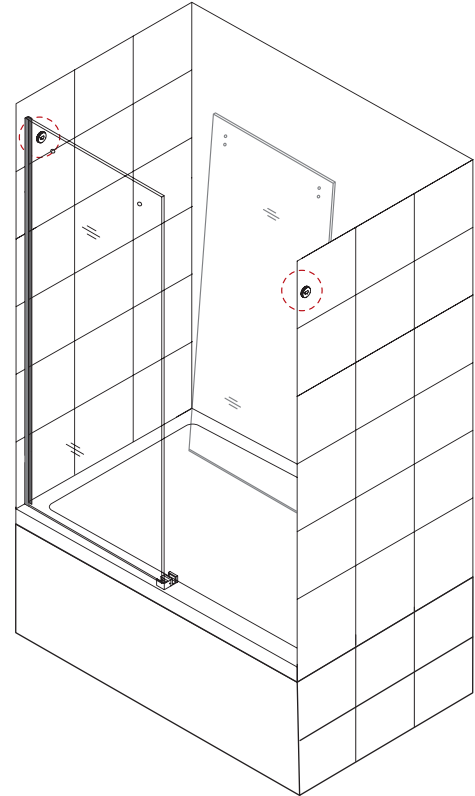
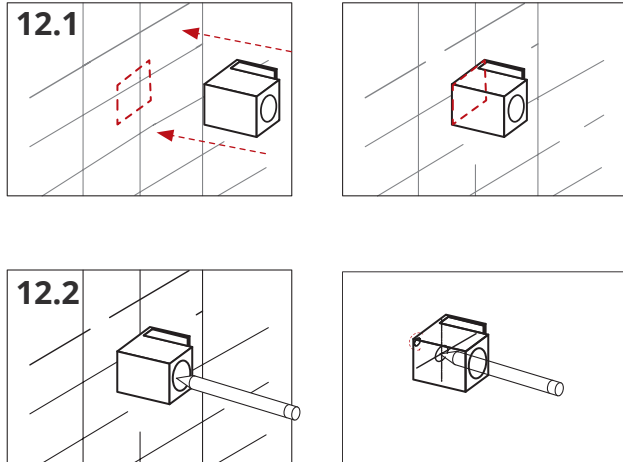


- 11** Remove the stoppers brackets from the running rail

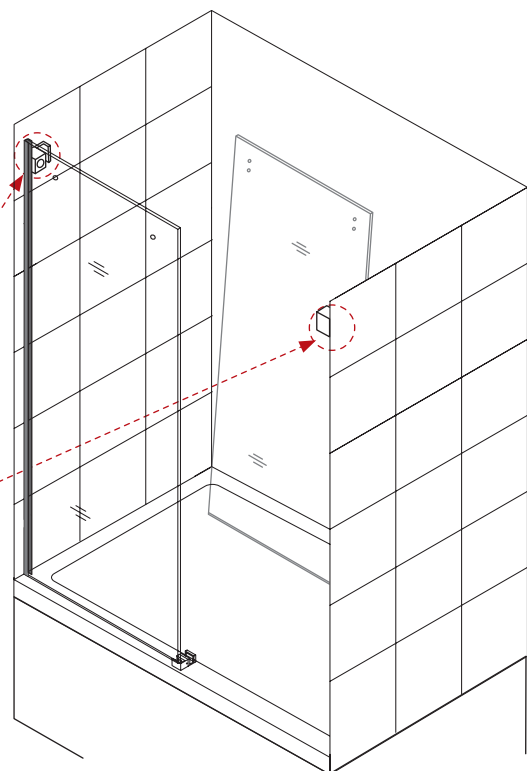
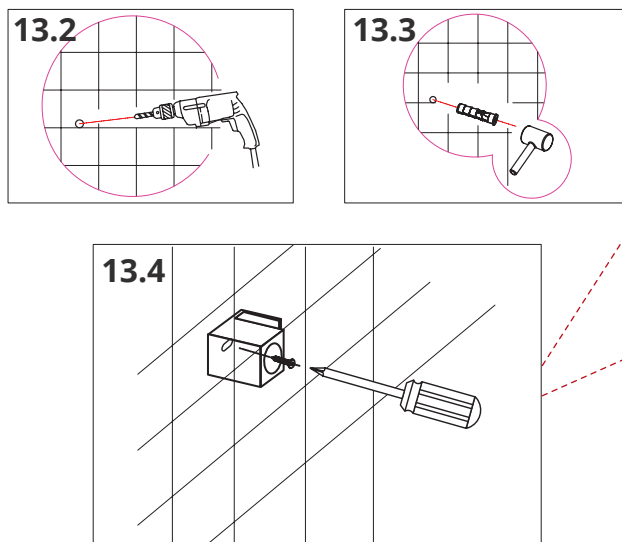


INSTALLATION GUIDE

- 12** 12.1 - Place the stopper brackets into position.
12.2 - Mark the stopper brackets screw location.

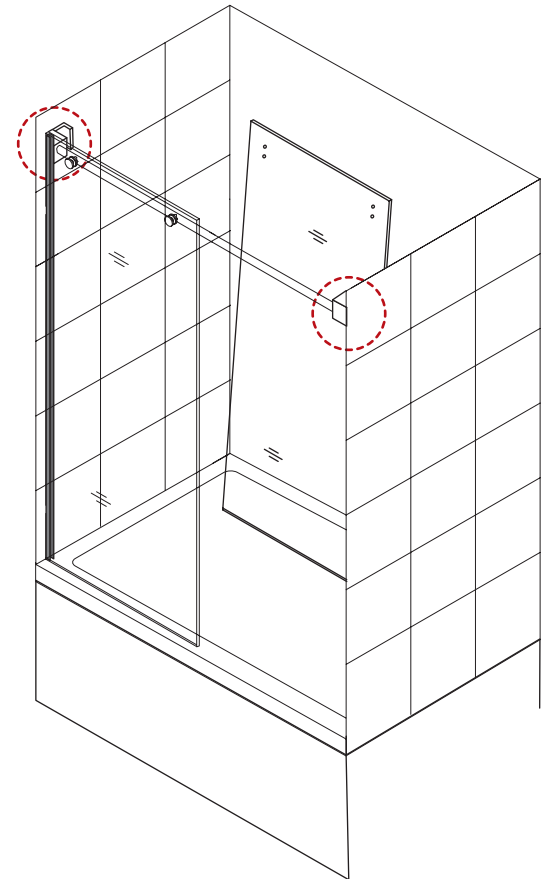
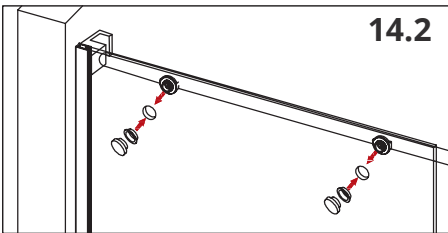
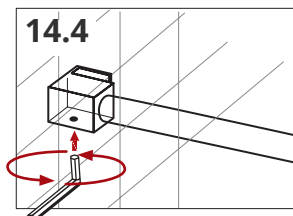
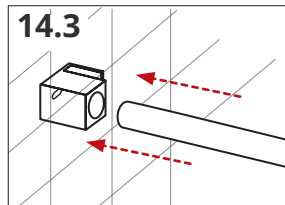
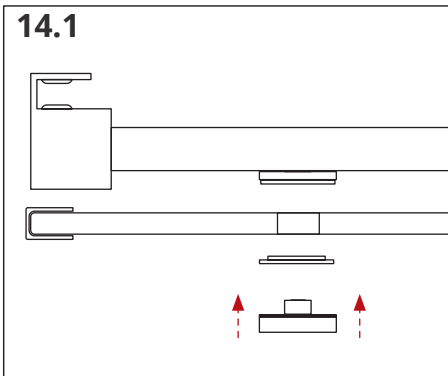


- 13** 13.1 Remove stopper bracket.
13.2 Drill the screw holes.
13.3 Tighten the wall anchor.
13.4 Install stopper bracket sleeves on both sides.

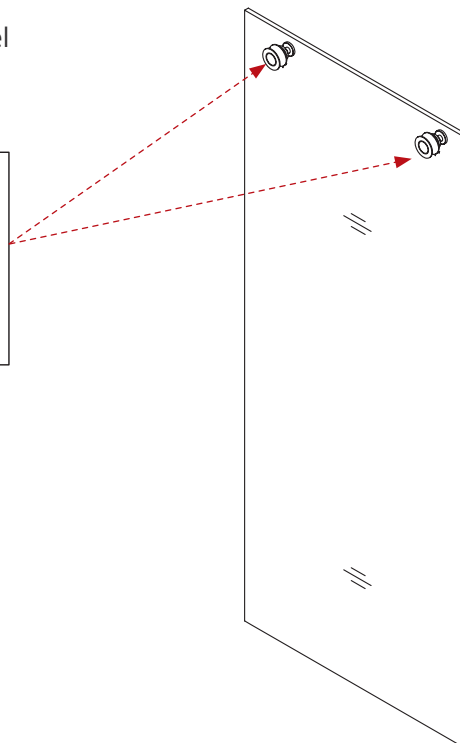
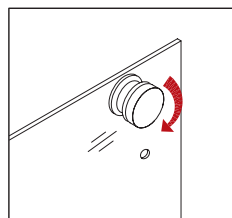
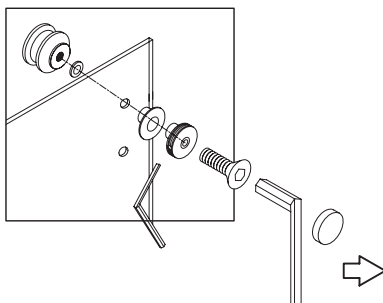


INSTALLATION GUIDE

- 14** Install the running rail into place.
Fasten the running rail to the fixed panel with the glass holders.



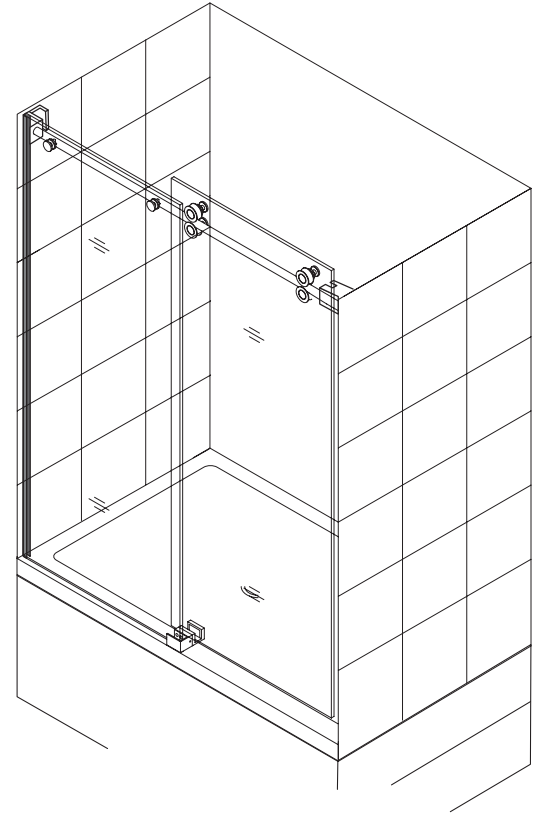
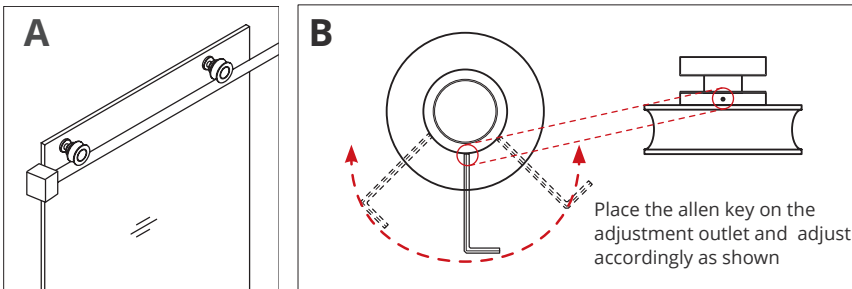
- 15** **Twin Roller Installation**
Assemble the top Twin Rollers to the sliding panel as shown.



INSTALLATION GUIDE

16

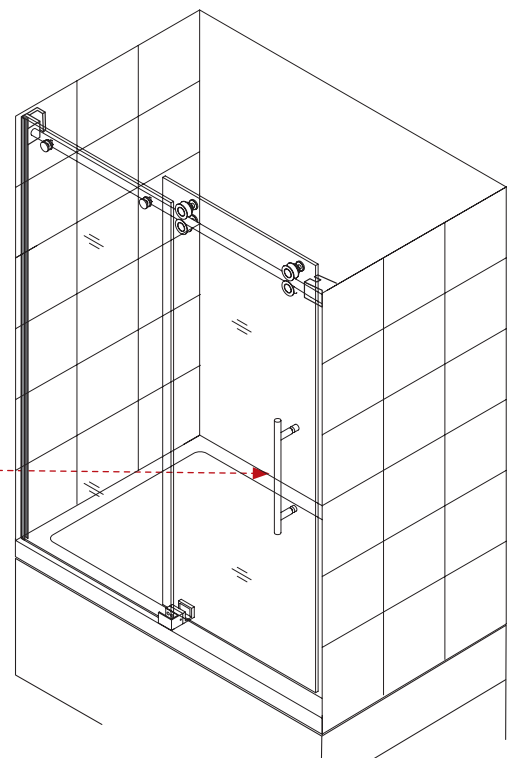
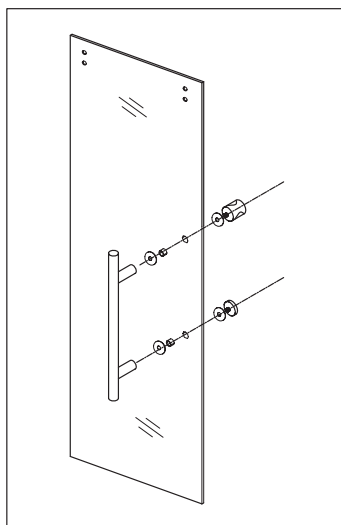
Install sliding door ensuring that the top rollers are installed first. Adjust the top rollers accordingly. Fix the top rollers over the running rail. Ensure that sliding door is placed within the Guide Block.



17

Handle Installation.

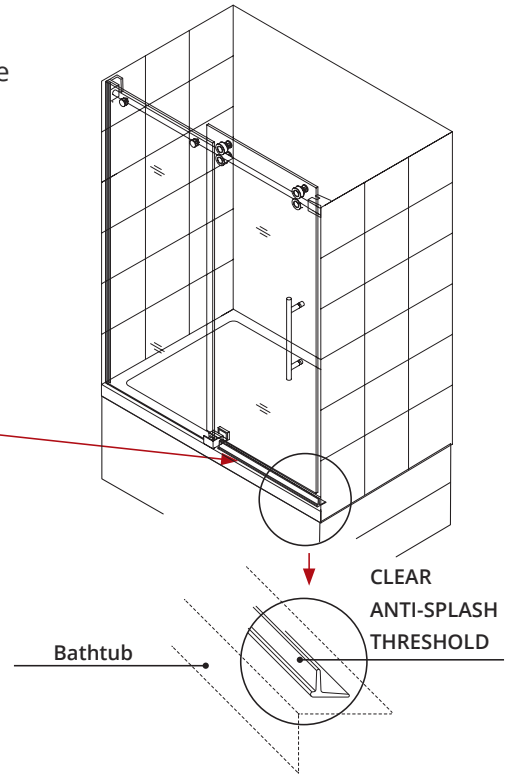
Make sure to have a gasket in either side of the glass door, to make sure the metal is not touching the tempered glass.



INSTALLATION GUIDE

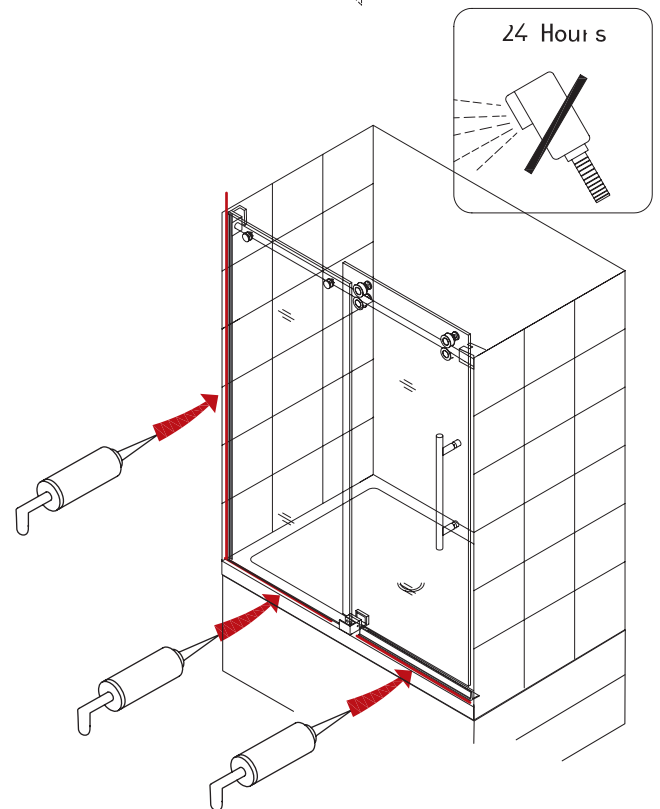
18 Clear Anti-splash threshold installation.

- Remove the adhesive tape
- Make sure to clean the bathtub threshold before placing the anti-splash threshold.
- Place the anti-splash threshold into place



- ### 19
- Apply silicone as shown. Silicone application along the length of the threshold is also suggested. In both cases, it is done from the outside of the shower area.

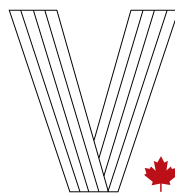
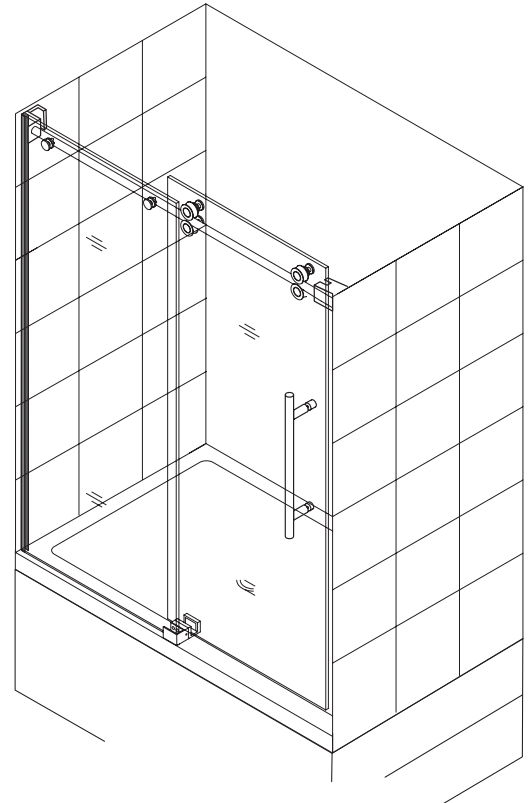
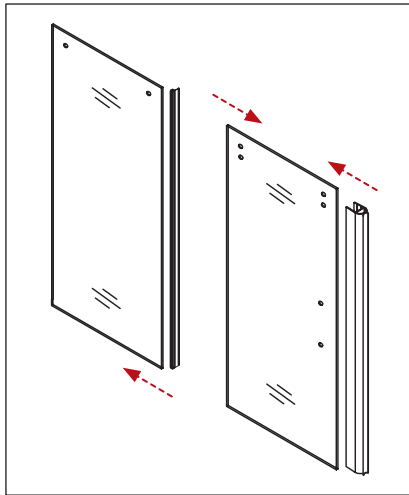
PLEASE ALLOW 24 HOURS FOR THE SILICONE TO FULLY CURE BEFORE USING THE SHOWER.



INSTALLATION GUIDE

20 U-Gasket installation.

Thoroughly clean the edges of the fixed panel and the sliding door panel. Install the Anti-water strip (F-shape) onto the vertical edge of the fixed panel and the U-Gaskets on the sliding door panel.



VALLEY⁺

...you dream it, we create it

Congratulations! You are now a part of the Valley Bath & Kitchen family, and an owner of a great product!