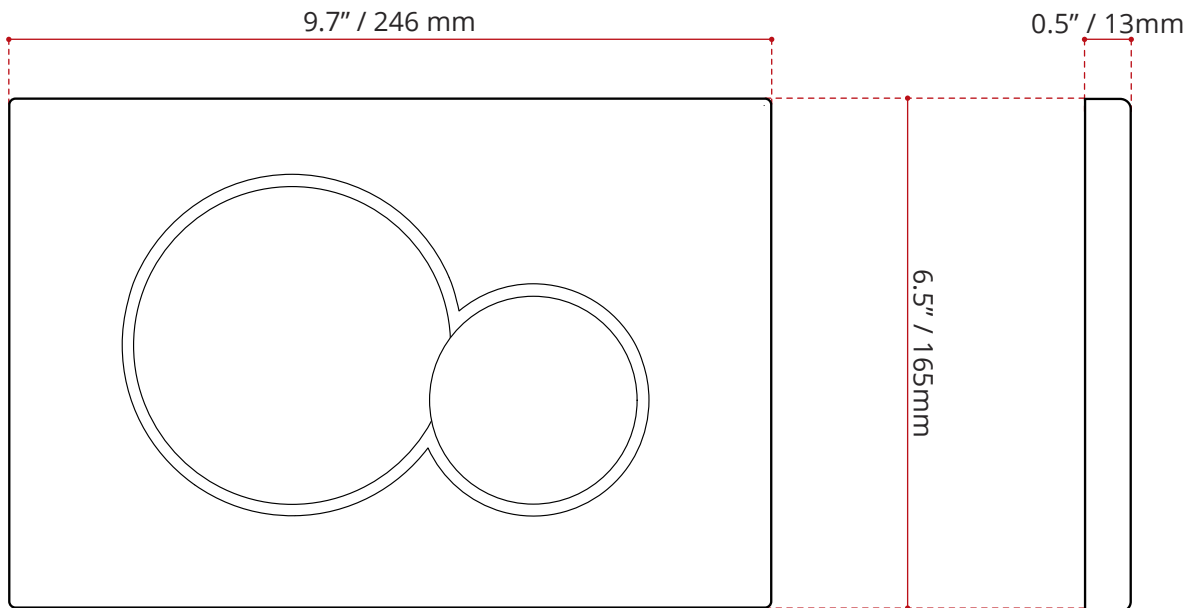




DESCRIPTION:

- Polished Chrome Finish
- High-quality molded plastic
- Dual-flush built in
- Includes mounting frame and hardware
- Easy to clean and maintain
- Designed to maintain appearance push after push



DISCLAIMER: Measurements may vary $\pm \frac{1}{4}$ " (Diagram Not to scale)
These dimensions and specifications are subject to change without notice

