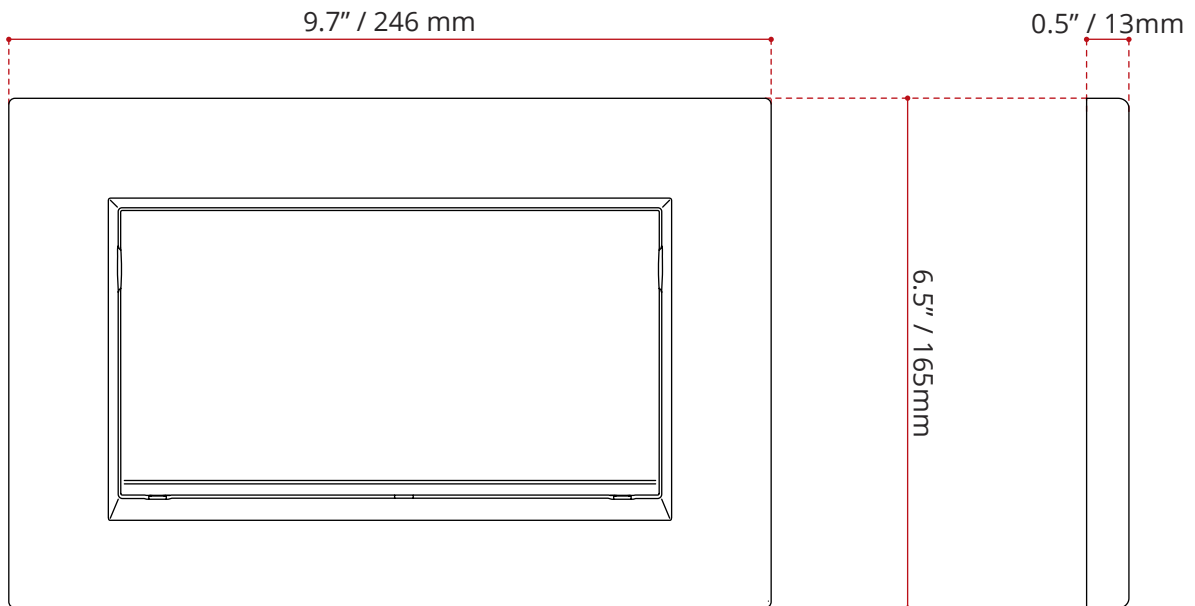




DESCRIPTION:

- Matte black with polished chrome accent
- Water-saving stop-and-go flush built in
- Single Flush
- Made of durable die-cast zinc
- Large button for easy actuation
- Includes mounting frame and hardware
- Easy to clean and maintain
- Designed to maintain appearance push after push



DISCLAIMER: Measurements may vary ± 1/4" (Diagram Not to scale)
These dimensions and specifications are subject to change without notice

