



DESCRIPTION:

- White porcelain.
- Under counter.
- Mounting clips included.
- With overflow.
- Cut-out template.
- Complies with CSA standards.

SHIPPING DIMENSIONS

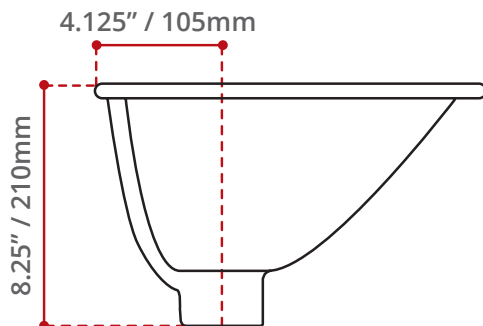
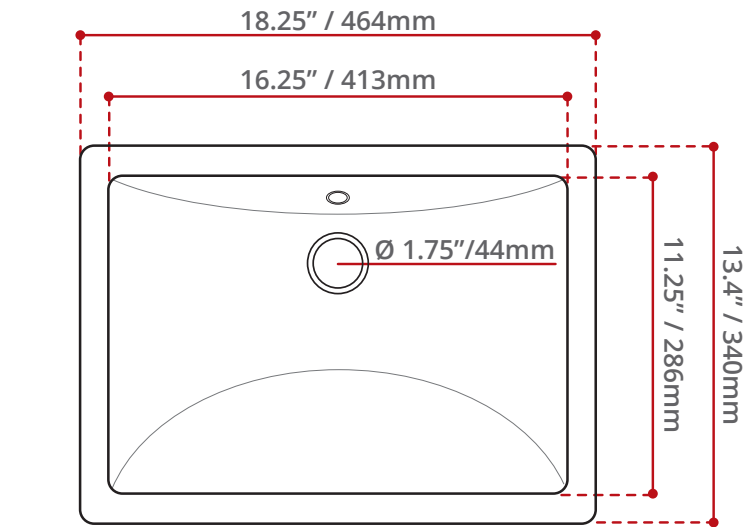
18.75 x 14.25 x 9.5" / 476 x 362 x 241mm

NET WEIGHT

7 kg / 15 lbs

GROSS WEIGHT

7.5 kg / 16.5 lbs



Measurements may vary \pm 5mm
- Diagram NOT to scale -

