

# VA33127WHT INSTALLATION GUIDE

Thank you for choosing Valley Bath & Kitchen Products. This installation manual provides essential guidelines for the installation of our products.

The information contained in this guide reflects the most up-to-date product details available at the time of publication. Please note, **Valley Bath & Kitchen reserves the right to make changes to product specifications, packaging, or availability without prior notice.**

### Before You Begin

We appreciate your purchase! Before starting the installation, please carefully unpack and inspect all parts to ensure nothing is missing or damaged. Should you find any issues, please contact the authorized dealer from whom you purchased the product.

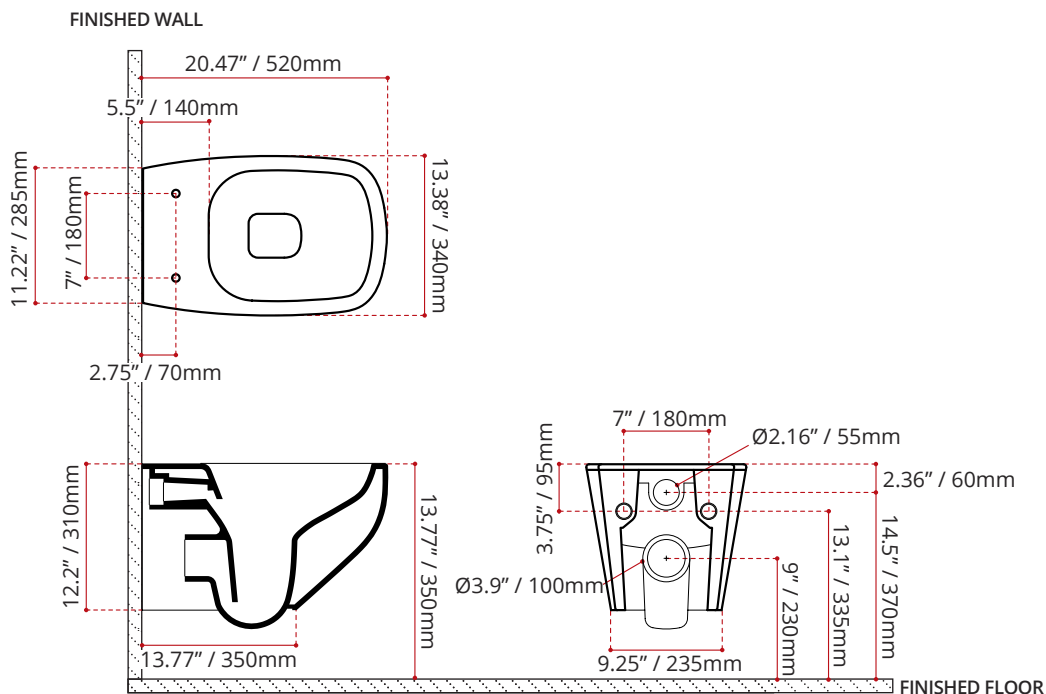


### Important Guidelines:

- Please read these instructions thoroughly before beginning your installation.
- Ensure that your installation complies with local building codes and standards.
- After unpacking, inspect the unit carefully before discarding the packaging or accepting the product from your sales representative.
- If you notice any damage or defects upon inspection, immediately contact the authorized dealer.

**Note:** The warranty does not cover damages or defects to the finish once the unit has been installed. Valley's responsibility for shipping-related damages ends upon delivery of the product to the carrier in good condition. Any complaints regarding transportation damages should be directed to the carrier.

- Refer to your product's specification sheet to verify that the unit and your building plans match the stated dimensions.



**DISCLAIMER:** Measurements may vary  $\pm \frac{1}{4}$ " (Diagram Not to scale)  
These dimensions and specifications are subject to change without notice

**IMPORTANT**

A higher water flow rate or excessive pressure can cause issues such as splashing. If this occurs, it can be resolved by installing the included water pressure reducer (see STEP 4).

**Please Note:** We advise against using this setup with low-capacity cisterns, as they may not provide consistent performance.

**01**

**INSTALLATION MEASUREMENTS**

Set up the components according to the assembly guide.

**Important:** Ensure the diverter is inserted with the hole facing downward.

**02**

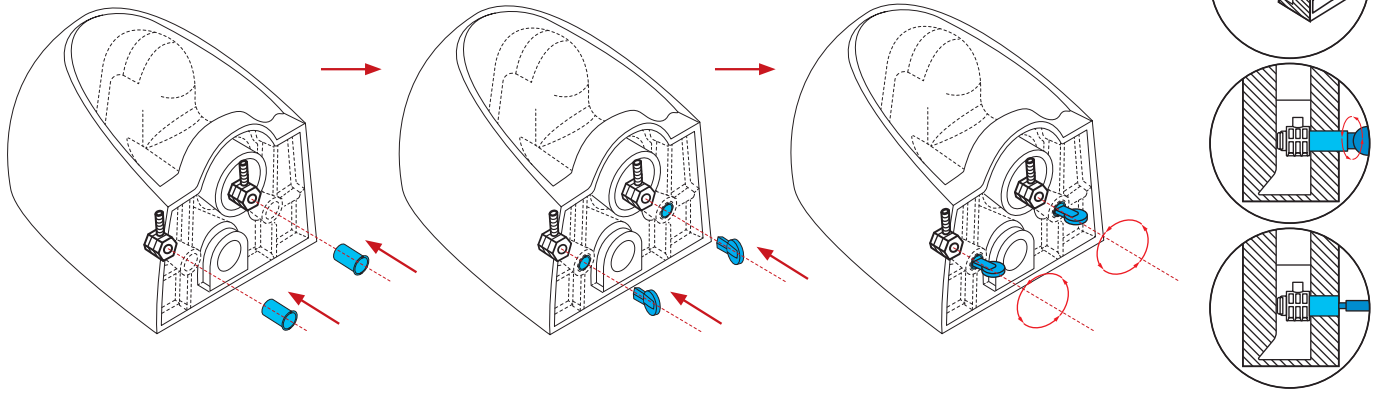
**INSERT FIXING PIN**

Insert the fixing pin as shown in the diagram

**Important:** Make sure the fixing pin is positioned toward the bottom of the toilet.

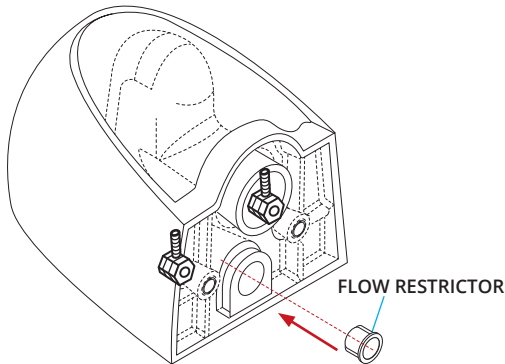
**03 INSERT THE ANCHORS**

Install the anchors and tighten using the provided tool.



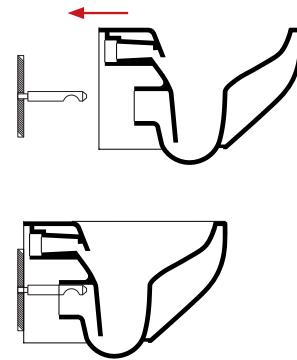
**04 INSERT THE FLOW RESTRICTOR**

Insert the flow restrictor as shown in the diagram



**05 MOUNT THE WALL-HUNG TOILET**

Install the toilet according to the diagram, ensuring it is securely positioned in place.



**06**

**TIGHTEN THE PIN**

Insert the allen key into the toilet seat installation holes, then use it to tighten the fixing pin securely in place.

