

**DESCRIPTION:**

- Zero threshold shower base (No tiling flange)
- Center drain location
- Complies with CSA & IAPMO standards

**FINISH:**



**MATTE WHITE**

**FEATURES**



**ULTRA LOW PROFILE 1" LIP**



ADA compliant when product is installed flush to the floor for easy roll-in access for wheelchair.



Resistant to Chemical Cleaning Agents



Customizable



Antibacterial



Grade 2 Anti-slip



Resistant to temperature change



Resistant to impacts: rated on the Barcol hardness scale



High scratch resistance



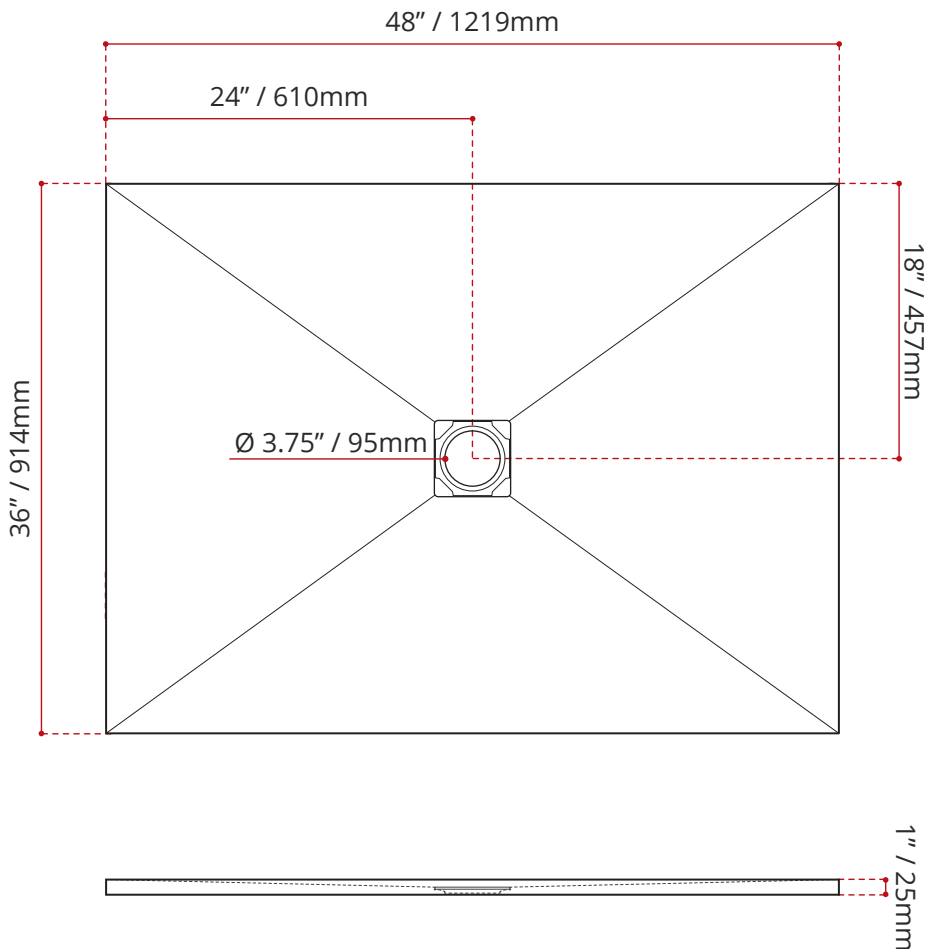
Zero water absorption

**INCLUDES:**

- 12ft. tiling flange
- Matching drain cover
- Shower drain
- Silicone tube

**SHIPPING INFORMATION:**

- Length: 56" / 1422mm
- Net Weight: TBA
- Width: 38.5" / 978mm
- Gross Weight: TBA
- Height: 8" / 203mm



DISCLAIMER: Measurements may vary ± 1/4" (Diagram Not to scale)