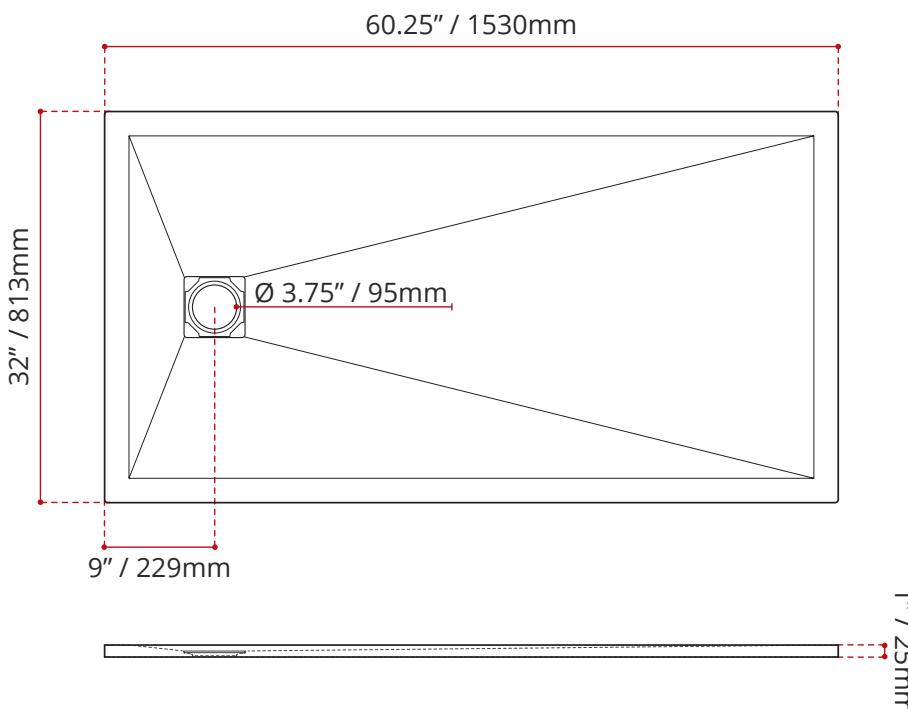
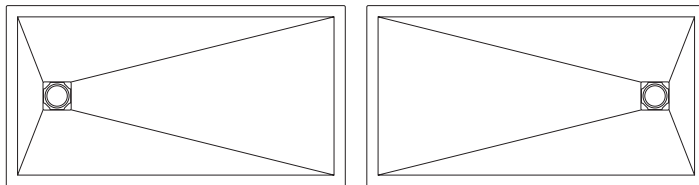


Product images are for illustration purposes only. Actual product(s) may vary.



DISCLAIMER: Measurements may vary ± 1/4" (Diagram Not to scale)

DESCRIPTION:

- Zero threshold shower base (No tiling flange)
- Off-set drain location
- Complies with CSA & IAPMO standards

FINISH:



BLACK MARBLE

FEATURES



ULTRA LOW PROFILE 1" LIP



ADA compliant when product is installed flush to the floor for easy roll-in access for wheelchair.



Resistant to Chemical Cleaning Agents



Customizable



Antibacterial



Grade 2 Anti-slip



Resistant to temperature change



Resistant to impacts: rated on the Barcol hardness scale



High scratch resistance



Zero water absorption

INCLUDES:

- 12ft. tiling flange
- Matching drain cover
- Shower drain
- Silicone tube

SHIPPING INFORMATION:

- Length: 68" / 1727mm Net Weight: 76 kg / 168 lbs
- Width: 34.5" / 876mm Gross Weight: 95 kg / 210 lbs
- Height: 3.5" / 89mm