



### DESCRIPTION:

- Voltage 110V
- Frequency 50/60 HZ.
- 4,000 RPM
- Full sound insulation.
- Balanced stainless steel turntable.
- Stainless steel grinding ring.
- Balanced stainless steel armature.
- Corrosion proof grinding chamber.
- Power cord attached.
- Overload protector.
- Cast stainless steel impeller.
- 1/2 HP Garburator.
- 1000 ml capacity.

### SHIPPING DIMENSIONS

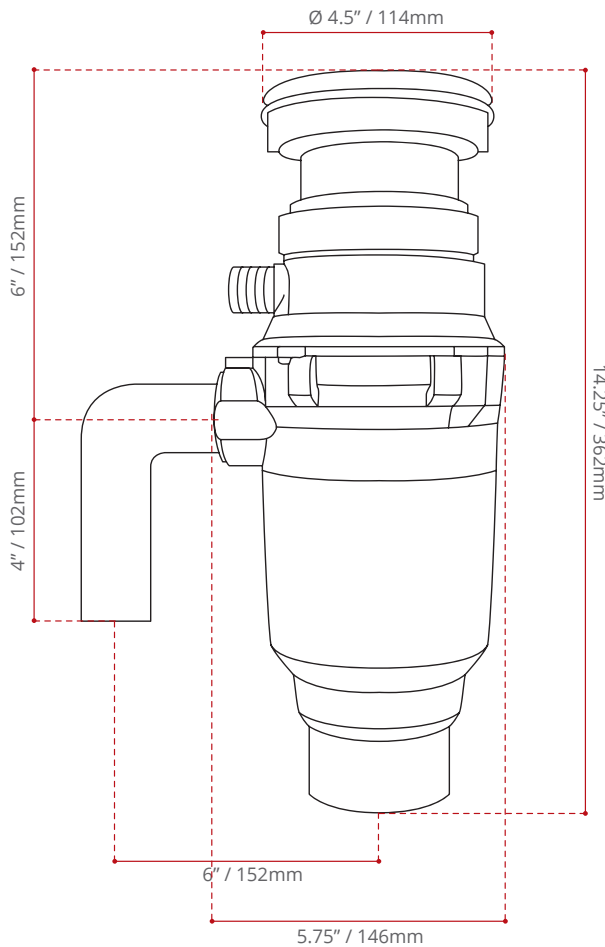
7 x 7 x 16.5" / 178 x 178 x 419mm

### NET WEIGHT

3.5 Kg / 7.7 lbs

### GROSS WEIGHT

4 Kg / 8.8 lbs



Measurements may vary ±5mm  
- Diagram NOT to scale -

