



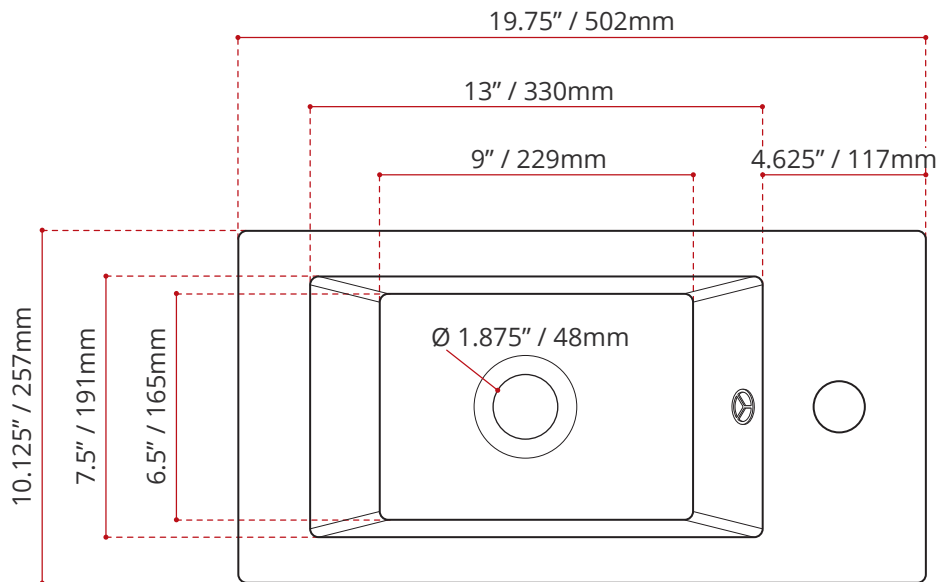
DESCRIPTION

- Above Counter & **LEFT-HAND DRAIN WALL MOUNT INSTALLATION**
- Comes with mounting hardware
- With overflow
- Single-hole faucet drilling
- Drain not included
- Complies with CSA & IAPMO standards

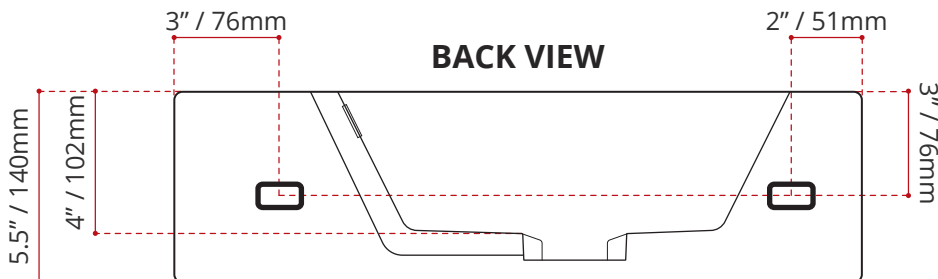
SHIPPING INFORMATION

- Length: 20.5" / 521mm
- Net Weight: 4 kg / 8.8 lbs.
- Width: 11" / 279mm
- Gross Weight: 7 kg / 15.4 lbs.
- Height: 6" / 152mm

TOP VIEW



BACK VIEW



DISCLAIMER: Measurements may vary \pm 1/4" (Diagram Not to scale)